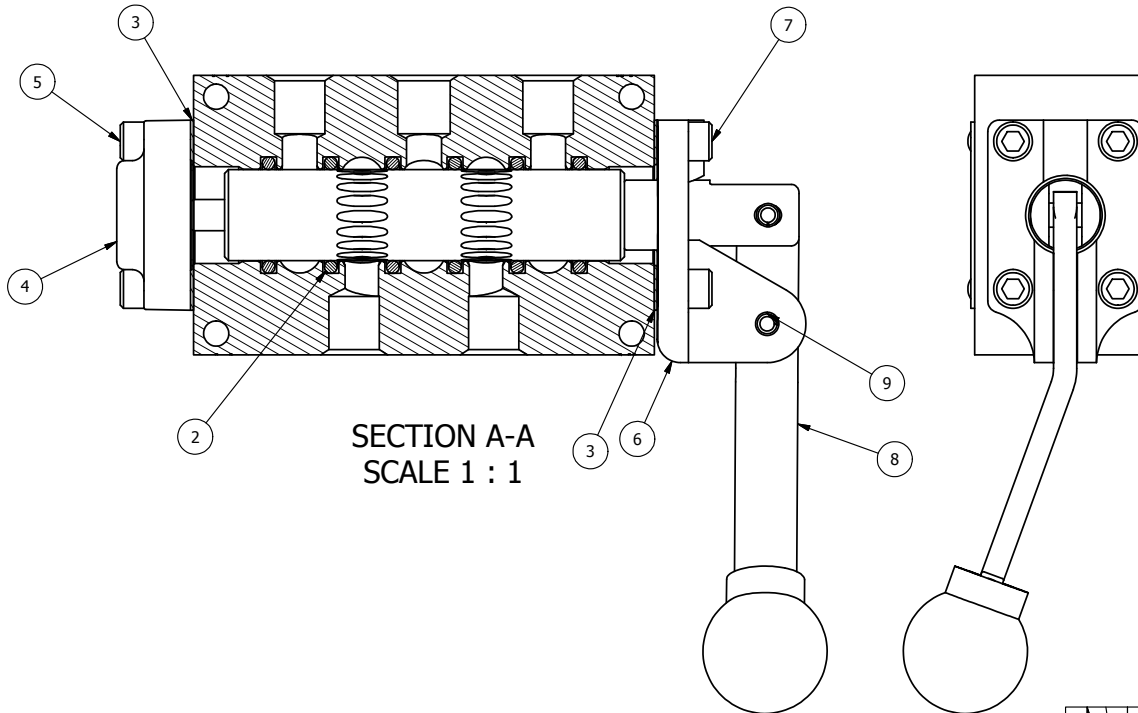


POSITION GASKET ON END OF VALVE SO  
MOUNTING HOLES ALIGN BOTH ENDS

**GREEN GREASE  
GREEN O-RINGS  
RACK-UP 2 HOLES TO RIGHT**

NOTES:  
1) ALWAYS GIVE VALVE MODEL NUMBER AND PART NUMBER WHEN ORDERING PARTS.



**SECTION A-A  
SCALE 1 : 1**

FLG	QTY	PART NO	DESCRIPTION
11	2	V-212	SCREW, #2 X 3/16 DRIVE, TYPE U, OVAL HEAD, 316 STAINLESS STEEL
10	1	AN-114	NAME PLATE, BLANK, FOR VALVES WITH SPRINGS OR DETENTS.
9	1	V-542	PIN, ROLL 3/16 X 1/2 ZINC PLATED STEEL FOR HE3-4 END CAP
8	1	HL3-24B20	HAND LEVER WITH KNOB, BENT 20 DEG SIDEWAYS, 1/4" & 3/8" VALVES
7	4	V-162	SCREW, 10-24 X 5/8 SHCS CAP R2H VALVE & JIFFY WIPER
6	1	HE3-4	ENDCAP - HAND OPERATOR, 1/4" & 3/8" STACK VALVE
5	4	V-38	SCREW, 10-24 X 3/4 SHCS, FOR 3/8" CAST END CAP
4	1	AY-HY3	SPRING CENTER SPOOL ASSY, HAND/FOOT, 1/4" & 3/8" VALVES
3	2	ECG3	GASKET - END CAP, 1/4" & 3/8" VALVE
2	6	V-39	O-RING, STD BODY, VITON, 1/4" & 3/8" VALVES
1	1	B2-2E-TM	BODY - SOLID, PLAIN, NO PILOTS, 1/4-20 TAPPED MNTG HOLES, 1/4" SIDE PORT VALVE

LIMITS ON DIMENSIONS UNLESS OTHERWISE SPECIFIED		2-PL DECIMAL ± .01 3-PL DECIMAL ± .005 FRACTIONAL ± 1/64 ANGULAR ± 1/2°		<b>AAA PRODUCTS INTERNATIONAL</b> 7114 Harry Hines Blvd Dallas, TX 75235
DRAWN: RMckenna		DATE: 6/2/2010		
SCALE: 1 : 1		SHEET: 1 OF 1		CHECKED: KWaitte DATE: 1/9/2013
TITLE: 1/4" SIDE PORT, LEVER, 3 POS, SPR CTR, LVR SHFT, CLSD CTR SPL, 90D, BENT LVR, LONG ROBO (8185585)				PART NO.: 635VC
THE INFORMATION CONTAINED WITHIN THIS DOCUMENT IS PROPRIETARY TO AAA PRODUCTS AND MAY NOT BE DISCLOSED WITHOUT PRIOR WRITTEN CONSENT				REV.: A

NO.	DATE	REVISION
A	3/25/2014	CHNGD HANDLE PIN FROM HL3-24C TO HL3-24B20.

P:\Engineering\Inventory Files\Internal Drawings\Valves Assembly\Lever\Special\635VC.dwg