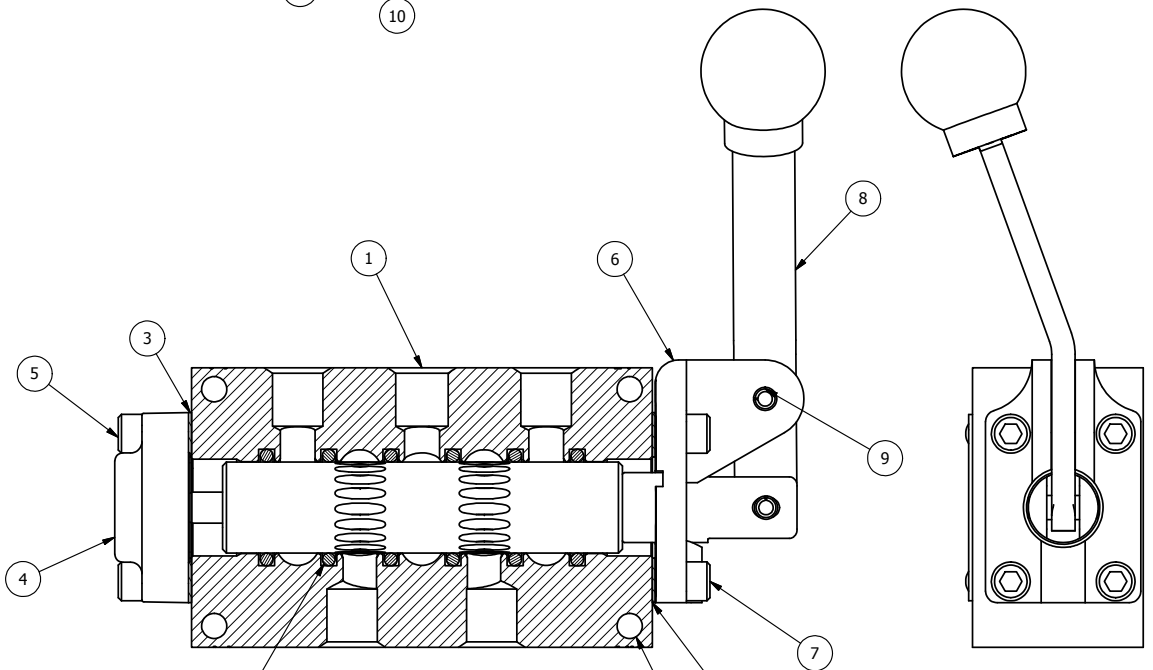


POSITION GASKET ON END OF VALVE SO MOUNTING HOLES ALIGN BOTH ENDS

**GREEN GREASE
GREEN O-RINGS
RACK-UP 2 HOLES TO RIGHT**

NOTES:
1) ALWAYS GIVE VALVE MODEL NUMBER AND PART NUMBER WHEN ORDERING PARTS.



**SECTION A-A
SCALE 1 : 1**

MOUNTING HOLES ARE TAPPED AT BTM 1/4-20 UNC, DEPTH 5/8 4-PLACES

FLG	QTY	PART NO	DESCRIPTION
11	2	V-212	SCREW, #2 X 3/16 DRIVE, TYPE U, OVAL HEAD, 316 STAINLESS STEEL
10	1	AN-114	NAME PLATE, BLANK, FOR VALVES WITH SPRINGS OR DETENTS.
9	1	V-542	PIN, ROLL 3/16 X 1/2 ZINC PLATED STEEL FOR HE3-4 END CAP
8	1	HL3-24B20	HAND LEVER WITH KNOB, BENT 20 DEG SIDEWAYS, 1/4" & 3/8" VALVES
7	4	V-162	SCREW, 10-24 X 5/8 SHCS CAP R2H VALVE & JIFFY WIPER
6	1	HE3-4	ENDCAP - HAND OPERATOR, 1/4" & 3/8" STACK VALVE
5	4	V-38	SCREW, 10-24 X 3/4 SHCS, FOR 3/8" CAST END CAP
4	1	AY-HY3	SPRING CENTER SPOOL ASSY, HAND/FOOT, 1/4" & 3/8" VALVES
3	2	ECG3	GASKET - END CAP, 1/4" & 3/8" VALVE
2	6	V-39	O-RING, STD BODY, VITON, 1/4" & 3/8" VALVES
1	1	B2-2E-TM	BODY - SOLID, PLAIN, NO PILOTS, 1/4-20 TAPPED MNTG HOLES, 1/4" SIDE PORT VALVE

LIMITS ON DIMENSIONS UNLESS OTHERWISE SPECIFIED
 2-PL DECIMAL ± .01
 3-PL DECIMAL ± .005
 FRACTIONAL ± 1/64
 ANGULAR ± 1/2°

AAA PRODUCTS INTERNATIONAL
 PRODUCTS INTERNATIONAL
 7114 Harry Hines Blvd
 Dallas, TX 75235

DRAWN: RMckenna DATE: 6/1/2010 CHECKED: KWaite DATE: 1/9/2013
 SCALE: 1 : 1 SHEET: 1 OF 1 RELEASED: HWomack DATE: 1/9/2013

TITLE: 1/4" SIDE PORT, LEVER, 3 POS, SPR CTR, LVR SHFT, CLSD CTR SPL, 270D, BENT LEVER, (8183642)
 PART NO.: 634VC
 REV.: B

NO.	DATE	REVISION
B	3/25/2014	CHNGD HANDLE PN FROM HL3-24C TO HL3-24B20.
A	1/8/2013	CHANGED BG3 GASKET TO ECG3.

THE INFORMATION CONTAINED WITHIN THIS DOCUMENT IS PROPRIETARY TO AAA PRODUCTS AND MAY NOT BE DISCLOSED WITHOUT PRIOR WRITTEN CONSENT

P:\Engineering\Inventory Files\Internal Drawings\Valves Assembly\Levers\Special\634VC.dwg