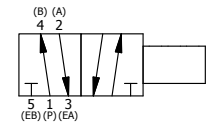
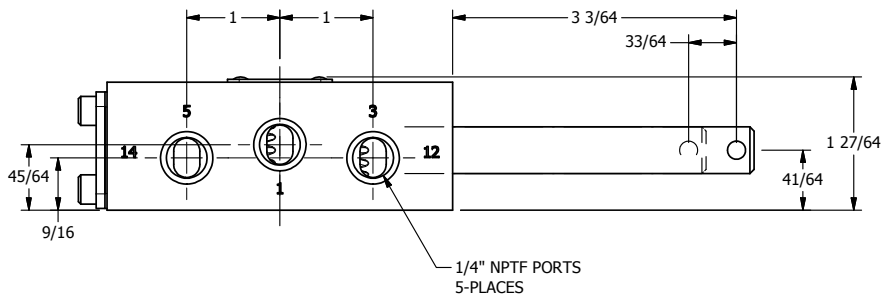
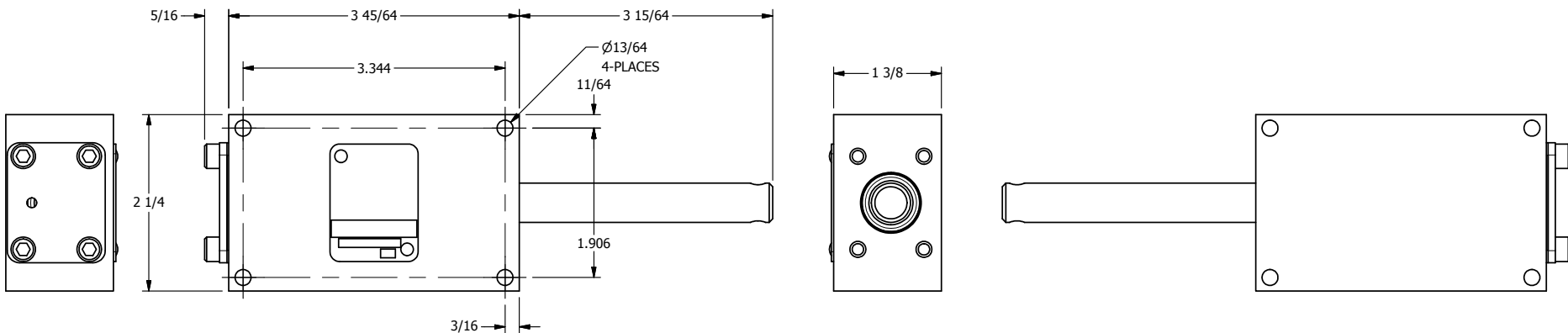
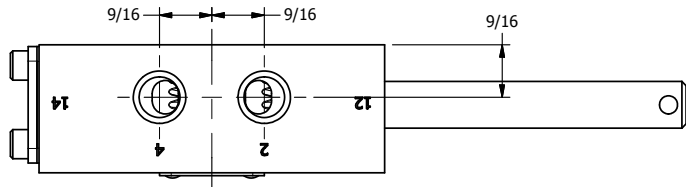


4

3

2

1



TITLE: 1/4" SIDE PORT, STUD, 2 POS, FRICTION POS

DRAWING NO.: DIM_630V

THE INFORMATION CONTAINED WITHIN THIS DOCUMENT IS PROPRIETARY TO AAA PRODUCTS AND MAY NOT BE DISCLOSED WITHOUT PRIOR WRITTEN CONSENT

4

3

2

1