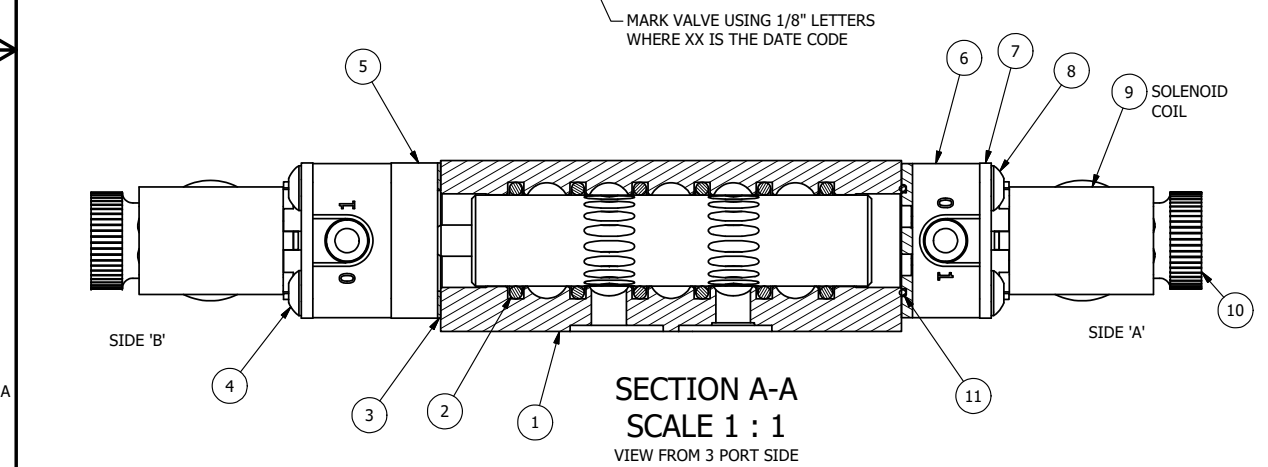


ALIGN PILOT AND HOLE IN GASKET SIDE B ONLY

ALIGN PILOT AND SLOT IN ADAPTOR WITH GASKET IN BETWEEN, BOTH SIDES (ADAPTOR SHOULD BE INSTALLED AS SHOWN) SUPPLY 50-150 PSI TO 1/8\"/>

NOTES:
 1) ALWAYS GIVE VALVE MODEL AND PART NUMBER WHEN ORDERING PARTS.
 2) FOR DIFFERENT VOLTAGES OTHER THAN 120/60, REPLACE SOLENOID COIL WITH COIL LISTED IN TABLE BELOW.

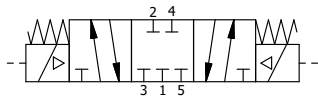


SECTION A-A
 SCALE 1 : 1
 VIEW FROM 3 PORT SIDE

| | | | |
|-----|-----|----------|--|
| 16 | 1 | ZNSPK-2 | KIT - SUBPLATE MOUNTING, BRASS NAMUR, (2 EA V-618-SS SCREW, 2 EA V-565 O-RING) |
| 13 | 1 | V-548 | O-RING, BUNA-N, 70 DURO, 6MM X 1MM, NAMUR PLUG |
| 12 | 1 | V-547 | PLUG, 360 HALF HARD BRASS, NAMUR VALVE |
| 11 | 2 | EMG3 | GASKET - END MOUNT SOLENOID, BUNA-N, 1/4\"/> |
| 10 | 2 | V-567W | E SERIES SINTERED BRONZE MUFFLER, DUST EXCLUDER, V-613 LOCK WASHER |
| 9 | 2 | V-600-1 | COIL - 1/2 NPTF HUB 120V 50/60HZ, NASS P/N 0561 44.1-00/4984 |
| 8 | 4 | V-584-SS | SCREW, 10-24 X 1, BUTTON HEAD SOCKET CAP, 18-8 OR 303 SS |
| 7 | 2 | SEC3-7 | PLATE, RE-INFORCEMENT, SOLENOID, STAMPED, 304 STAINLESS |
| 6 | 2 | V-550-1 | SOL OPER, END MOUNT, NON-LOCKING O'RIDE |
| 5 | 1 | AY-ZMY3 | ASSY - SPR CTR, CLSD CTR SPL, LOWER PILOT, BRASS, 1/4\"/> |
| 4 | 4 | V-601-SS | SCREW, 10-24 X 1-1/2, BUTTON HEAD SOCKET CAP, 18-8 SS OR EQUIVQLENT |
| 3 | 1 | ECG3 | GASKET - END CAP, 1/4\"/> |
| 2 | 6 | V-39 | O-RING, VITON, STD BODY, 1/4\"/> |
| 1 | 1 | Z2-11 | BODY - BRASS, UPPER PILOTS (BUTTON BLEEDER), 1/4\"/> |
| FLG | QTY | PART NO | DESCRIPTION |

| | | | | | |
|---|--|--|--|--|-----------------|
| LIMITS ON DIMENSIONS UNLESS OTHERWISE SPECIFIED | | 2-PL DECIMAL ± .01 3-PL DECIMAL ± .005 FRACTIONAL ± 1/64 ANGULAR ± 1/2° | | AAA PRODUCTS INTERNATIONAL 7114 Harry Hines Blvd Dallas, TX 75235 | |
| DRAWN: RMckenna | | DATE: 5/26/2019 | | | CHECKED: KWaite |
| SCALE: 1 : 1 | | SHEET: 1 OF 1 | | RELEASED: HWomack | DATE: 5/26/2019 |
| TITLE: 1/4" NAMUR, DBL SOL, 3 POS, CLSD SPR CTR, MOLD-OVER, 120/60, BR & SS, DUST EXCLDR, EXT PILOT | | | | PART NO.: | REV.: |
| | | | | ZNSY2JLZ | |

| COIL VOLTAGES | |
|-----------------|--------------|
| PART NO | REPLACE COIL |
| ZNSY2JLZ 12VDC | V-600-2 |
| ZNSY2JLZ 24VDC | V-600-3 |
| ZNSY2JLZ 240/60 | V-600-4 |



THE INFORMATION CONTAINED WITHIN THIS DOCUMENT IS PROPRIETARY TO AAA PRODUCTS AND MAY NOT BE DISCLOSED WITHOUT PRIOR WRITTEN CONSENT