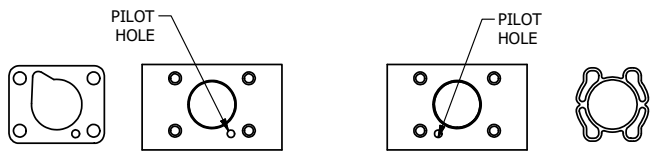
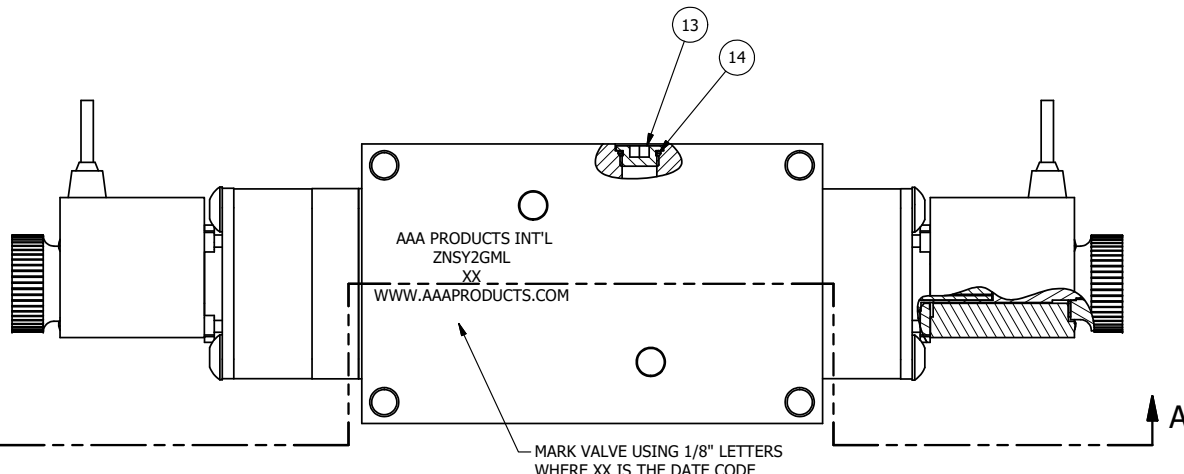


4

3

2

1

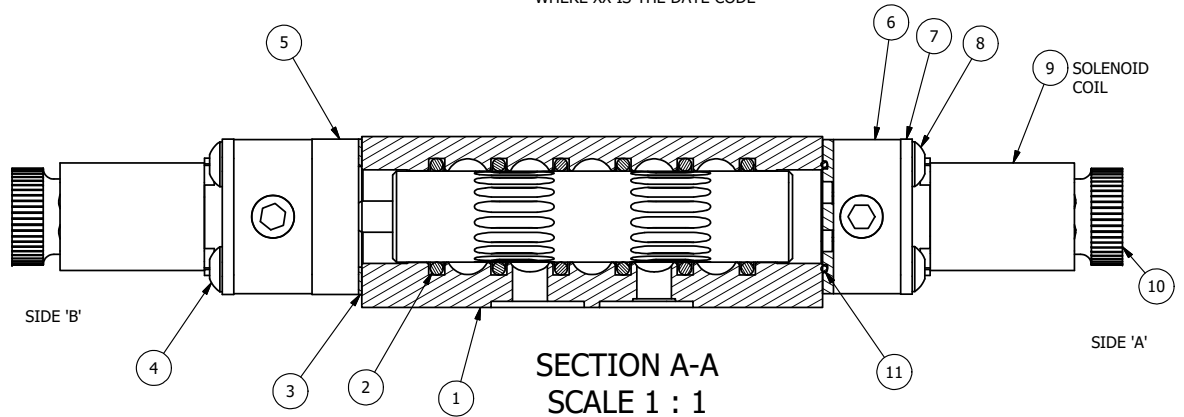


ALIGN PILOT AND HOLE IN GASKET  
SIDE B ONLY

ALIGN PILOT AND SLOT IN ADAPTOR  
WITH GASKET IN BETWEEN, BOTH SIDES  
FOR EXTERNAL PILOT OPERATION - ROTATE ADAPTOR  
180 DEGREES. REMOVE 1/8" NPTF PLUG AND  
SUPPLY 50-150 PSI TO 1/8" NPTF PILOT PORT IN ADAPTOR.

NOTES:  
1) ALWAYS GIVE VALVE MODEL AND PART NUMBER WHEN ORDERING PARTS.  
2) FOR DIFFERENT VOLTAGES OTHER THAN 120/60, REPLACE SOLENOID COIL WITH COIL LISTED IN TABLE BELOW.

MARK VALVE USING 1/8" LETTERS  
WHERE XX IS THE DATE CODE



SECTION A-A  
SCALE 1 : 1  
VIEW FROM 3 PORT SIDE

15	1	ZNSPK-2	KIT - SUBPLATE MOUNTING, BRASS NAMUR, (2 EA V-618-SS SCREW, 2 EA V-565 O-RING)
14	1	V-548	O-RING, BUNA-N, 70 DURO, 6MM X 1MM, NAMUR PLUG
13	1	V-547	PLUG, 360 HALF HARD BRASS, NAMUR VALVE
12	2	V-19-SS	PLUG, SOCKET PIPE 1/8"-27 NPT, 7/8 TAPER, PLAIN, FLUSH SEAL, STAINLESS STEEL
11	2	EMG3	GASKET - END MOUNT SOLENOID, BUNA-N, 1/4" & 3/8" VALVES
10	2	V-567W	E SERIES SINTERED BRONZE MUFFLER, DUST EXCLUDER, V-613 LOCK WASHER
9	2	V-569-1	SYSTEM 8 COIL 120 50/60.NASS # 0561 38.1 00/4984.
8	4	V-584-SS	SCREW, 10-24 X 1, BUTTON HEAD SOCKET CAP, 18-8 OR 303 SS
7	2	SEC3-7	PLATE, RE-INFORCEMENT, SOLENOID, STAMPED, 304 STAINLESS
6	2	V-550-1	SOL OPER, END MOUNT, NON-LOCKING O'RIDE
5	1	AY-ZMY3G	ASSY - SPR CTR, FLOAT CTR SPL, LOWER PILOT, BRASS, 1/4" & 3/8" VALVES
4	4	V-601-SS	SCREW, 10-24 X 1-1/2, BUTTON HEAD SOCKET CAP, 18-8 SS OR EQUIVQLENT
3	1	ECG3	GASKET - END CAP, 1/4" & 3/8" VALVE
2	6	V-39	O-RING, VITON, STD BODY, 1/4" & 3/8" VALVES
1	1	Z2-11	BODY - BRASS, UPPER PILOTS (BUTTON BLEEDER), 1/4" NAMUR
FLG	QTY	PART NO	DESCRIPTION

LIMITS ON DIMENSIONS  
UNLESS  
OTHERWISE SPECIFIED

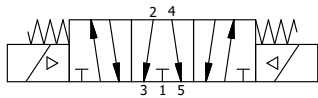
2-PL DECIMAL ± .01  
3-PL DECIMAL ± .005  
FRACTIONAL ± 1/64  
ANGULAR ± 1/2°



DRAWN: RMckenna DATE: 5/12/2016  
SCALE: 1 : 1 SHEET: 1 OF 1

CHECKED: KWaite DATE: 5/12/2016  
RELEASED: HWomack DATE: 5/12/2016

COIL VOLTAGES	
PART NO	REPLACE COIL
ZNSY2GML 240/60	V-569-4
ZNSY2GML 24VDC	V-569-3
ZNSY2GML 12VDC	V-569-2



TITLE:  
1/4" NAMUR, DBL SOL, 3 POS,  
SPR CTR, FLOAT CTR SPL, BRASS & SS,  
FLYING LEAD, 120/60, DUST EXCLDR

PART NO.:  
ZNSY2GML  
REV.:

THE INFORMATION CONTAINED WITHIN THIS DOCUMENT IS PROPRIETARY TO AAA PRODUCTS AND MAY NOT BE DISCLOSED WITHOUT PRIOR WRITTEN CONSENT

4

3

2

D:\Engineering\product\Valves\AssemblyStandards\AAA\DWG\ZNSY2GML.dwg