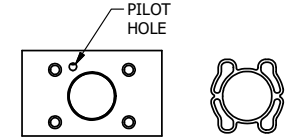
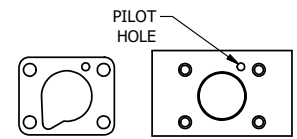
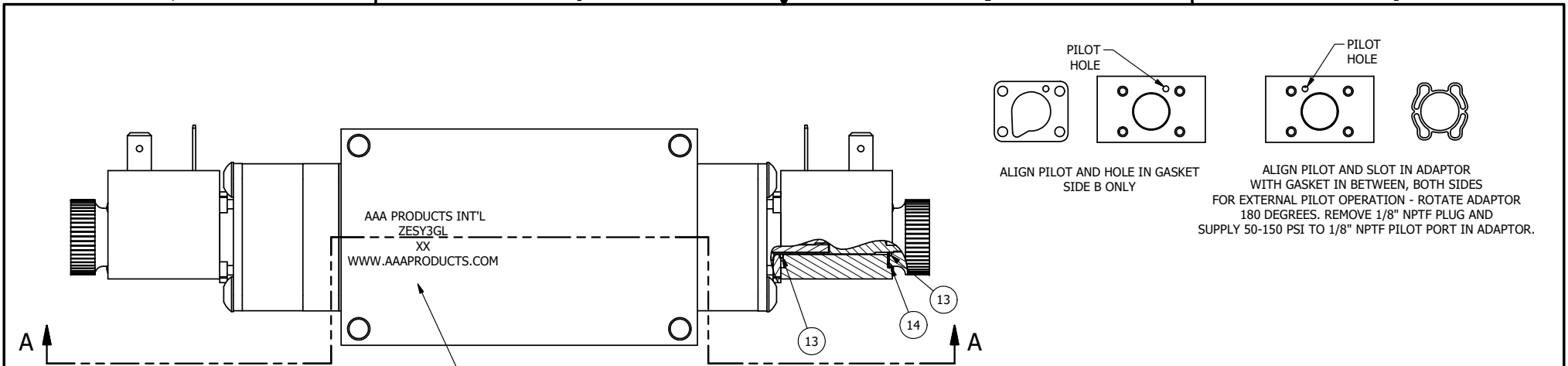


4

3

2

1

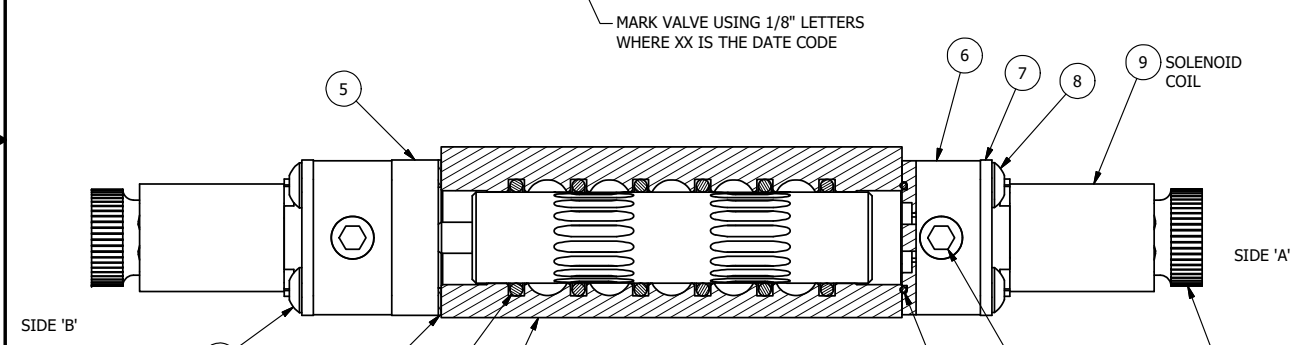


ALIGN PILOT AND HOLE IN GASKET  
SIDE B ONLY

ALIGN PILOT AND SLOT IN ADAPTOR  
WITH GASKET IN BETWEEN, BOTH SIDES  
FOR EXTERNAL PILOT OPERATION - ROTATE ADAPTOR  
180 DEGREES. REMOVE 1/8" NPTF PLUG AND  
SUPPLY 50-150 PSI TO 1/8" NPTF PILOT PORT IN ADAPTOR.

AAA PRODUCTS INT'L  
ZESY3GL  
XX  
WWW.AAAPRODUCTS.COM

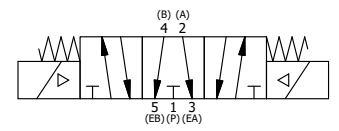
MARK VALVE USING 1/8" LETTERS  
WHERE XX IS THE DATE CODE



**SECTION A-A**  
**SCALE 1 : 1**  
VIEW FROM 3 PORT SIDE

|     |     |           |  |
|-----|-----|-----------|--|
| 14  | 2   | V-607     | O-RING, VITON, 75 DURO, 14MM X 1MM, IP67 NUT SEAL                            |
| 13  | 4   | V-606     | O-RING, VITON, 75 DURO, 8MM X 1MM, IP67 STEM SEAL                            |
| 12  | 2   | V-19-SS   | PLUG, SOCKET PIPE 1/8"-27 NPT, 7/8 TAPER, PLAIN, FLUSH SEAL, STAINLESS STEEL |
| 11  | 2   | EMG3      | GASKET - END MOUNT SOLENOID, BUNA-N, 1/4" & 3/8" VALVES                      |
| 10  | 2   | V-567W    | E SERIES SINTERED BRONZE MUFFLER, DUST EXCLUDER, V-613 LOCK WASHER           |
| 9   | 2   | V-551-1   | THERMOPLASTIC ENCAPSULATED COIL 120V 50/60HZ, NASS P/N # 108-030-0455        |
| 8   | 4   | V-584-SS  | SCREW, 10-24 X 1, BUTTON HEAD SOCKET CAP, 18-8 OR 303 SS                     |
| 7   | 2   | SEC3-7    | PLATE, RE-INFORCEMENT, SOLENOID, STAMPED, 304 STAINLESS                      |
| 6   | 2   | V-550-1   | SOL OPER, END MOUNT, NON-LOCKING O'RIDE                                      |
| 5   | 1   | AY-ZEMY3G | ASSY - SPR CTR, FLOAT CTR SPL, END MOUNT SOLENOID, BRASS, 1/4" & 3/8" VALVES |
| 4   | 4   | V-601-SS  | SCREW, 10-24 X 1-1/2, BUTTON HEAD SOCKET CAP, 18-8 SS OR EQUIVQLENT          |
| 3   | 1   | ECG3      | GASKET - END CAP, 1/4" & 3/8" VALVE  |
| 2   | 6   | V-39      | O-RING, VITON, STD BODY, 1/4" & 3/8" VALVES                                  |
| 1   | 1   | ZB3-1     | BODY - BRASS, UPPER PILOTS (BUTTON BLEEDER), 3/8" SIDE PORT VALVE            |
| FLG | QTY | PART NO   | DESCRIPTION  |

NOTES:  
1) ALWAYS GIVE VALVE MODEL AND PART NUMBER WHEN ORDERING PARTS.  
2) FOR DIFFERENT VOLTAGES OTHER THAN 120/60, REPLACE SOLENOID COIL WITH COIL LISTED IN TABLE BELOW.




| COIL VOLTAGES  |              |
|----------------|--------------|
| PART NO        | REPLACE COIL |
| ZESY3GL 240/60 | V-551-4      |
| ZESY3GL 24VDC  | V-551-3      |
| ZESY3GL 12VDC  | V-551-2      |

LIMITS ON DIMENSIONS  
UNLESS OTHERWISE SPECIFIED  
2-PL DECIMAL ± .01  
3-PL DECIMAL ± .005  
FRACTIONAL ± 1/64  
ANGULAR ± 1/2°

DRAWN: RMckenna DATE: 5/9/2016  
SCALE: 1 : 1 SHEET: 1 OF 1

TITLE:  
**3/8" SIDE PORT, DBL SOL, 3 POS,  
SPR CTR, SOL SHFT, FLOAT CTR SPL,  
BRASS & SS, 120/60, DUST EXCLDR**



**AAA PRODUCTS INTERNATIONAL**  
7114 Harry Hines Blvd  
Dallas, TX 75235

CHECKED: KWaite DATE: 5/9/2016  
RELEASED: HWomack DATE: 5/9/2016

PART NO.: **ZESY3GL** REV.:

THE INFORMATION CONTAINED WITHIN THIS DOCUMENT IS PROPRIETARY TO AAA PRODUCTS AND MAY NOT BE DISCLOSED WITHOUT PRIOR WRITTEN CONSENT