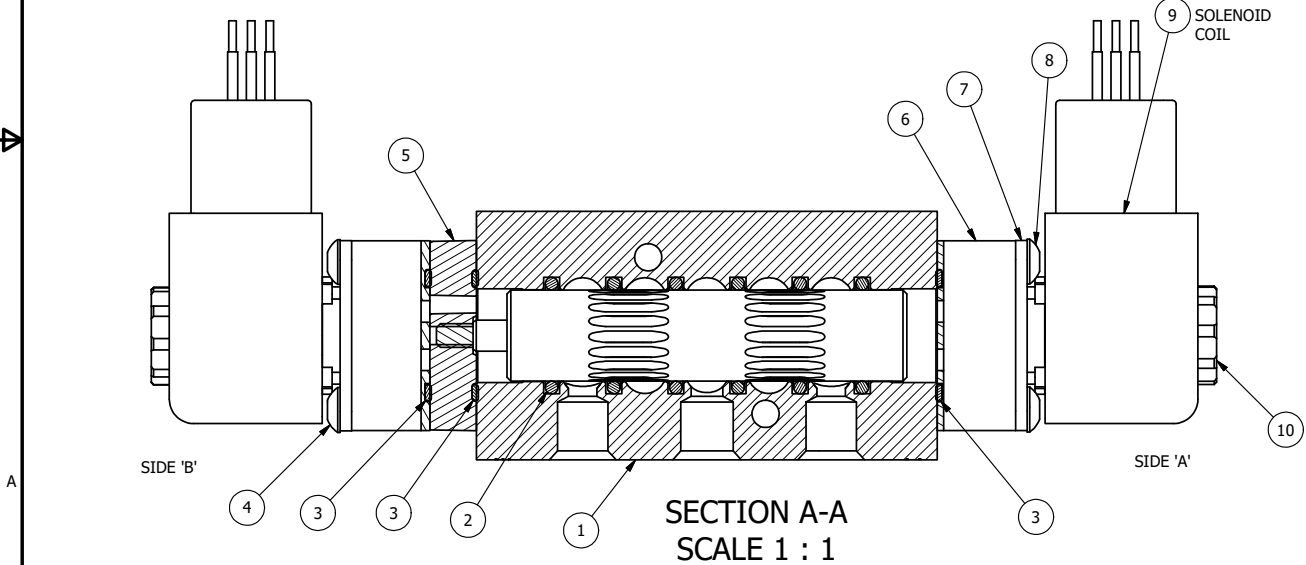


ALIGN PILOT AND SLOT IN ADAPTOR WITH GASKET IN BETWEEN, BOTH SIDES (ADAPTOR SHOULD BE INSTALLED AS SHOWN) SUPPLY 50-150 PSI TO 1/8\"/>

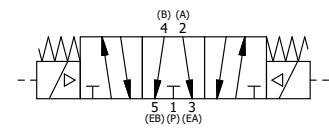
NOTES:  
 1) ALWAYS GIVE VALVE MODEL AND PART NUMBER WHEN ORDERING PARTS.  
 2) FOR DIFFERENT VOLTAGES OTHER THAN 120/60, REPLACE SOLENOID COIL WITH COIL LISTED IN TABLE BELOW.



| FLG | QTY | PART NO  | DESCRIPTION   |
|-----|-----|----------|---|
| 15  | 1   | NSPK-2   | SUBPLATE MOUNTING KIT NAMUR (2 EA V-566 SCREW, 2 EA V-565 O-RING)             |
| 14  | 2   | V-212    | SCREW, #2 X 3/16 DRIVE, TYPE U, OVAL HEAD, STAINLESS STEEL                    |
| 13  | 1   | AN-114   | NAMEPLATE, BLANK, FOR VALVES WITH SPRINGS OR DETENTS                          |
| 12  | 1   | V-548    | O-RING, BUNA-N, 70 DURO, 6MM X 1MM, NAMUR PLUG                                |
| 11  | 1   | V-547    | PLUG, 360 HALF HARD BRASS, NAMUR VALVE  |
| 10  | 2   | V-556    | NUT, SOLENOID, TOP EXHAUST, KNURLED   |
| 9   | 2   | V-593-1  | COIL - 120VAC EXP PROOF, 1/2\"/>  |
| 8   | 4   | V-584    | SCREW, 10-24 X 1, BUTTON HEAD SOCKET CAP WITH MICROSPHERE APPLIED TO THREADS. |
| 7   | 2   | SEC3-7   | PLATE, RE-INFORCEMENT, SOLENOID, STAMPED, 304 STAINLESS                       |
| 6   | 2   | V-550-1  | SOL OPER, END MOUNT, NON-LOCKING O'RIDE                                       |
| 5   | 1   | AY-EMY3G | ASSY - SPR CTR, OPEN CTR SPL, END MOUNT SOLENOID, 1/4\"/>                     |
| 4   | 4   | V-601    | SCREW, 10-24 X 1-1/2, BUTTON HEAD SOCKET CAP WITH MICROSPHERE ADHESIVE        |
| 3   | 3   | EMG3     | GASKET - END MOUNT SOLENOID, BUNA-N, 1/4\"/>                                  |
| 2   | 6   | V-39     | O-RING, VITON, STD BODY, 1/4\"/>  |
| 1   | 1   | B2-11E-W | NAMUR INTERFACE, WITH 3/2 CONVERSION, 1/4\"/>                                 |

|   |  |
|---|--|
| LIMITS ON DIMENSIONS UNLESS OTHERWISE SPECIFIED<br>2-PL DECIMAL ± .01<br>3-PL DECIMAL ± .005<br>FRACTIONAL ± 1/64<br>ANGULAR ± 1/2° | <b>AAA PRODUCTS INTERNATIONAL</b><br>7114 Harry Hines Blvd<br>Dallas, TX 75235 |
| DRAWN: RMckenna    DATE: 2/14/2016<br>SCALE: 1 : 1    SHEET: 1 OF 1   | CHECKED: KWaite    DATE: 2/14/2016<br>RELEASED: HWomack    DATE: 2/14/2016     |
| TITLE:<br><b>1/4" NAMUR, DBL SOL, 3 POS, SPR CTR, SOL SHFT, FLOAT CTR SPL, EXPL PROOF, 120/60, EXT PILOT</b>                        | PART NO.:<br><b>NSY2GXZ</b> REV.:<br><b>A</b>                                  |

| COIL VOLTAGES  |              |
|----------------|--------------|
| PART NO        | REPLACE COIL |
| NSY2GXZ 12VDC  | V-593-2      |
| NSY2GXZ 24VDC  | V-593-3      |
| NSY2GXZ 240/60 | V-593-4      |



| A NO.    | DATE                                     | REVISION |
|----------|--|----------|
| 6/1/2018 | ECG3 GASKET TO EMG3, CHNGD END CAP GEOM. |          |

THE INFORMATION CONTAINED WITHIN THIS DOCUMENT IS PROPRIETARY TO AAA PRODUCTS AND MAY NOT BE DISCLOSED WITHOUT PRIOR WRITTEN CONSENT

D:\Engineering\Product Valve Assembly\Standard\NSY2GXZ.dwg