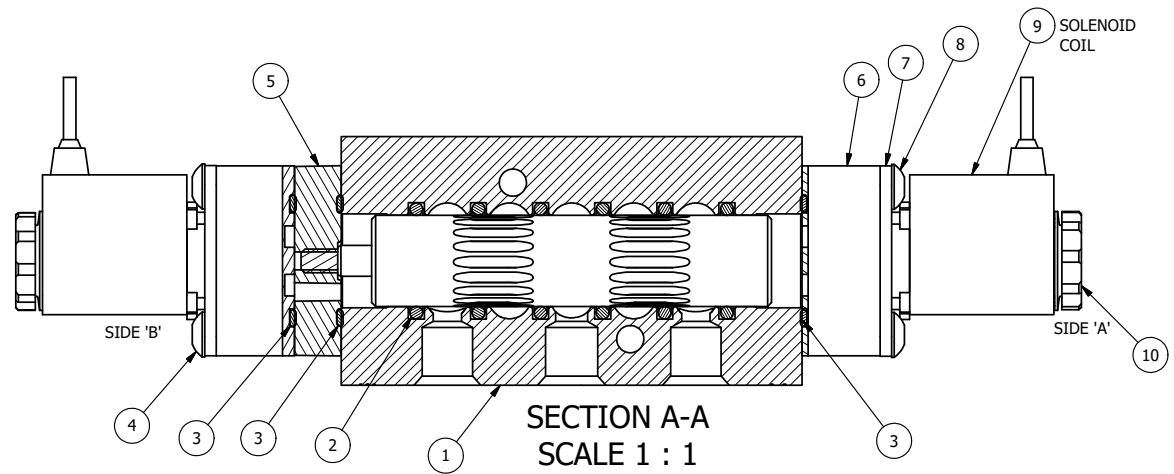
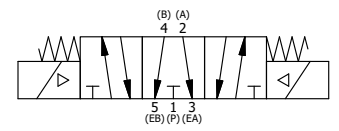


ALIGN PILOT AND SLOT IN ADAPTOR WITH GASKET IN BETWEEN, BOTH SIDES. FOR EXTERNAL PILOT OPERATION - ROTATE ADAPTOR 180 DEGREES. REMOVE 1/8" NPTF PLUG AND SUPPLY 50-150 PSI TO 1/8" NPTF PILOT PORT IN ADAPTOR



| FLG | QTY | PART NO | DESCRIPTION |
|-----|-----|----------|---|
| 15 | 1 | NSPK-2 | SUBPLATE MOUNTING KIT NAMUR (2 EA V-566 SCREW, 2 EA V-565 O-RING) |
| 14 | 2 | V-212 | SCREW, #2 X 3/16 DRIVE, TYPE U, OVAL HEAD, STAINLESS STEEL |
| 13 | 1 | AN-114 | NAMEPLATE, BLANK, FOR VALVES WITH SPRINGS OR DETENTS |
| 12 | 1 | V-548 | O-RING, BUNA-N, 70 DURO, 6MM X 1MM, NAMUR PLUG |
| 11 | 1 | V-547 | PLUG, 360 HALF HARD BRASS, NAMUR VALVE |
| 10 | 2 | V-556 | NUT, SOLENOID, TOP EXHAUST, KNURLED |
| 9 | 2 | V-569-1 | SYSTEM 8 COIL 120 50/60.NASS # 0561 38.1 00/4984. |
| 8 | 4 | V-584 | SCREW, 10-24 X 1, BUTTON HEAD SOCKET CAP WITH MICROSPHERE APPLIED TO THREADS. |
| 7 | 2 | SEC3-7 | PLATE, RE-INFORCEMENT, SOLENOID, STAMPED, 304 STAINLESS |
| 6 | 2 | V-550-1 | SOL OPER, END MOUNT, NON-LOCKING O'RIDE |
| 5 | 1 | AY-EMY3G | ASSY - SPR CTR, OPEN CTR SPL, END MOUNT SOLENOID, 1/4" & 3/8" VALVES |
| 4 | 4 | V-601 | SCREW, 10-24 X 1-1/2, BUTTON HEAD SOCKET CAP WITH MICROSPHERE ADHESIVE |
| 3 | 3 | EMG3 | GASKET - END MOUNT SOLENOID, BUNA-N, 1/4" & 3/8" VALVES |
| 2 | 6 | V-39 | O-RING, VITON, STD BODY, 1/4" & 3/8" VALVES |
| 1 | 1 | B2-11E-W | NAMUR INTERFACE, WITH 3/2 CONVERSION, 1/4" VALVE |

NOTES:
 1) ALWAYS GIVE VALVE MODEL AND PART NUMBER WHEN ORDERING PARTS.
 2) FOR DIFFERENT VOLTAGES OTHER THAN 120/60, REPLACE SOLENOID COIL WITH COIL LISTED IN TABLE BELOW.



| COIL VOLTAGES | |
|---------------|--------------|
| PART NO | REPLACE COIL |
| NSY2GM 12VDC | V-569-2 |
| NSY2GM 24VDC | V-569-3 |
| NSY2GM 240/60 | V-569-4 |

| | |
|--|--|
| LIMITS ON DIMENSIONS UNLESS OTHERWISE SPECIFIED 2-PL DECIMAL ± .01 3-PL DECIMAL ± .005 FRACTIONAL ± 1/64 ANGULAR ± 1/2° | AAA PRODUCTS INTERNATIONAL 7114 Harry Hines Blvd Dallas, TX 75235 |
| DRAWN: RMckenna DATE: 11/3/2015 | CHECKED: KWaite DATE: 11/3/2015 |
| SCALE: 1 : 1 SHEET: 1 OF 1 | RELEASED: HWomack DATE: 11/3/2015 |
| TITLE: 1/4" NAMUR, DBL SOL, 3 POS, SPR CTR, SOL SHFT, FLOAT CTR SPL, FLYING LEAD, 120/60 | PART NO.: NSY2GM REV.: A |

| A NO. | DATE | REVISION |
|----------|--|----------|
| 6/1/2018 | ECG3 GASKET TO EMG3, CHNGD END CAP GEOM. | |

THE INFORMATION CONTAINED WITHIN THIS DOCUMENT IS PROPRIETARY TO AAA PRODUCTS AND MAY NOT BE DISCLOSED WITHOUT PRIOR WRITTEN CONSENT