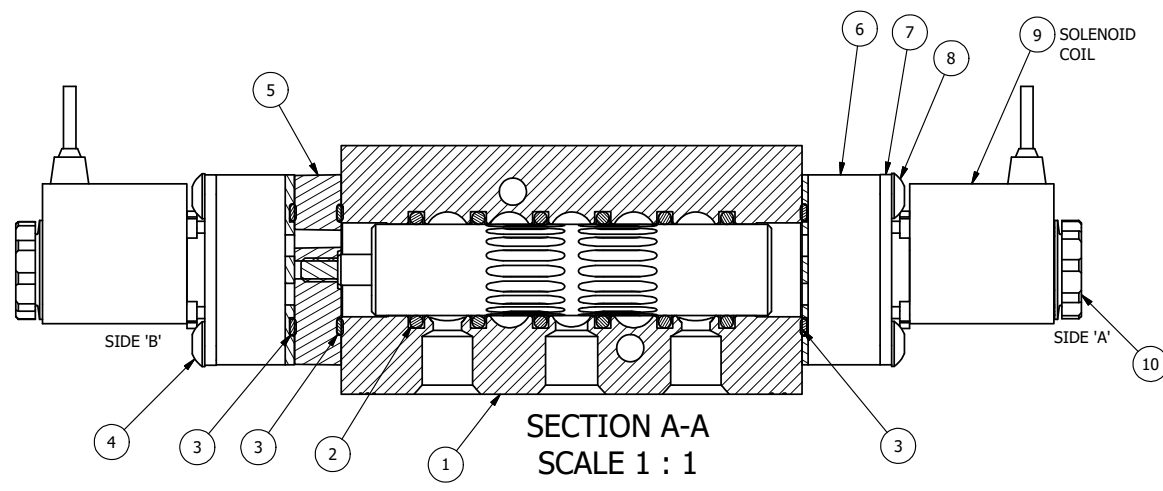
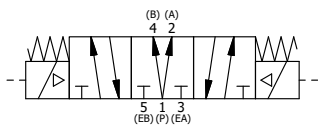


ALIGN PILOT AND SLOT IN ADAPTOR WITH GASKET IN BETWEEN, BOTH SIDES (ADAPTOR SHOULD BE INSTALLED AS SHOWN) SUPPLY 50-150 PSI TO 1/8" NPTF PILOT PORT IN ADAPTOR.



| FLG | QTY | PART NO  | DESCRIPTION   |
|-----|-----|----------|---|
| 15  | 1   | NSPK-2   | SUBPLATE MOUNTING KIT NAMUR (2 EA V-566 SCREW, 2 EA V-565 O-RING)             |
| 14  | 2   | V-212    | SCREW, #2 X 3/16 DRIVE, TYPE U, OVAL HEAD, STAINLESS STEEL                    |
| 13  | 1   | AN-114   | NAMEPLATE, BLANK, FOR VALVES WITH SPRINGS OR DETENTS                          |
| 12  | 1   | V-548    | O-RING, BUNA-N, 70 DURO, 6MM X 1MM, NAMUR PLUG                                |
| 11  | 1   | V-547    | PLUG, 360 HALF HARD BRASS, NAMUR VALVE  |
| 10  | 2   | V-556    | NUT, SOLENOID, TOP EXHAUST, KNURLED   |
| 9   | 2   | V-569-1  | SYSTEM 8 COIL 120 50/60.NASS # 0561 38.1 00/4984.                             |
| 8   | 4   | V-584    | SCREW, 10-24 X 1, BUTTON HEAD SOCKET CAP WITH MICROSPHERE APPLIED TO THREADS. |
| 7   | 2   | SEC3-7   | PLATE, RE-INFORCEMENT, SOLENOID, STAMPED, 304 STAINLESS                       |
| 6   | 2   | V-550-1  | SOL OPER, END MOUNT, NON-LOCKING O'RIDE                                       |
| 5   | 1   | AY-EMY3D | ASSY - SPR CTR, REGEN CTR SPL, END MOUNT SOLENOID, 1/4" & 3/8" VALVES         |
| 4   | 4   | V-601    | SCREW, 10-24 X 1-1/2, BUTTON HEAD SOCKET CAP WITH MICROSPHERE ADHESIVE        |
| 3   | 3   | EMG3     | GASKET - END MOUNT SOLENOID, BUNA-N, 1/4" & 3/8" VALVES                       |
| 2   | 6   | V-39     | O-RING, VITON, STD BODY, 1/4" & 3/8" VALVES                                   |
| 1   | 1   | B2-11E-W | NAMUR INTERFACE, WITH 3/2 CONVERSION, 1/4" VALVE                              |

NOTES:  
 1) ALWAYS GIVE VALVE MODEL AND PART NUMBER WHEN ORDERING PARTS.  
 2) FOR DIFFERENT VOLTAGES OTHER THAN 120/60, REPLACE SOLENOID COIL WITH COIL LISTED IN TABLE BELOW.



| COIL VOLTAGES  |              |
|----------------|--------------|
| PART NO        | REPLACE COIL |
| NSY2DMZ 12VDC  | V-569-2      |
| NSY2DMZ 24VDC  | V-569-3      |
| NSY2DMZ 240/60 | V-569-4      |

|  |  |  |  |  |
|--|--|--|--|--|
| LIMITS ON DIMENSIONS UNLESS OTHERWISE SPECIFIED  |  | 2-PL DECIMAL ± .01<br>3-PL DECIMAL ± .005<br>FRACTIONAL ± 1/64<br>ANGULAR ± 1/2° |  | <b>AAA PRODUCTS INTERNATIONAL</b><br>7114 Harry Hines Blvd<br>Dallas, TX 75235 |
| DRAWN: RMckenna  |  | DATE: 6/8/2016   |  |  |
| SCALE: 1:1   |  | SHEET: 1 OF 1  |  | RELEASED: HWomack  |
| TITLE:<br>1/4" NAMUR, DBL SOL, 3 POS,<br>SPR CTR, SOL SHFT, REGEN CTR SPL,<br>FLYING LEAD, 120/60, EXT PILOT |  | PART NO.:<br>NSY2DMZ   |  | REV.:<br>A   |

| A | NO.      | DATE                                     | REVISION |
|---|----------|--|----------|
|   | 6/1/2018 | ECG3 GASKET TO EMG3, CHNGD END CAP GEOM. |          |

THE INFORMATION CONTAINED WITHIN THIS DOCUMENT IS PROPRIETARY TO AAA PRODUCTS AND MAY NOT BE DISCLOSED WITHOUT PRIOR WRITTEN CONSENT