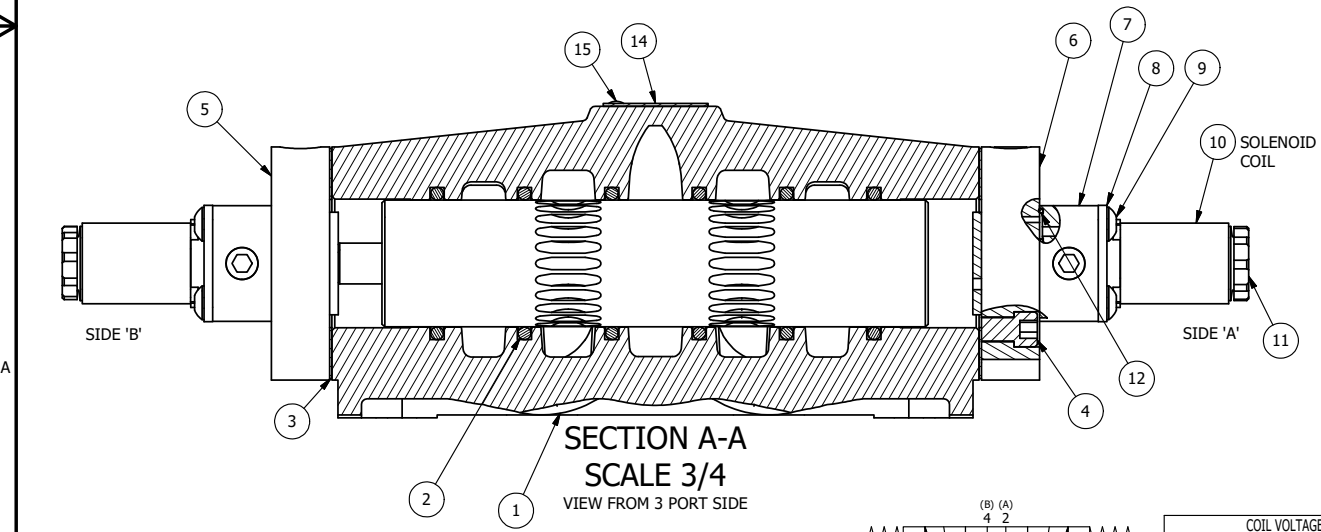


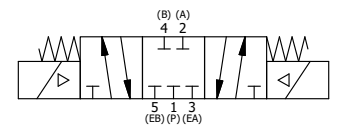
ALIGN PILOT AND HOLE IN GASKET, SIDE 'A' ONLY FOR EXTERNAL PILOT OPERATION - ROTATE THE ROUND ALUMINUM ADAPTOR 180 DEGREES. REMOVE 1/8" NPTF PLUG AND SUPPLY 50-150 PSI TO 1/8" NPTF PILOT PORT IN ADAPTOR.

- NOTES:
 1) ALWAYS GIVE VALVE MODEL AND PART NUMBER WHEN ORDERING PARTS.
 2) FOR DIFFERENT VOLTAGES OTHER THAN 120/60, REPLACE SOLENOID COIL WITH COIL LISTED IN TABLE BELOW.



15	2	V-212	SCREW, #2 X 3/16 DRIVE, TYPE U, OVAL HEAD, STAINLESS STEEL
14	1	AN-114	NAMEPLATE, BLANK, FOR VALVES WITH SPRINGS OR DETENTS
13	2	V-19	PLUG, SOCKET PIPE 1/8" NPT (#601-3 PITTSBURG PLUG PART #.)
12	2	EMG3	GASKET - END MOUNT SOLENOID, BUNA-N, 1/4" & 3/8" VALVES
11	2	V-556	NUT, SOLENOID, TOP EXHAUST, KNURLED
10	2	V-569-1	SYSTEM 8 COIL 120 50/60.NASS # 0561 38.1 00/4984.
9	8	V-584	SCREW, 10-24 X 1, BUTTON HEAD SOCKET CAP WITH MICROSPHERE APPLIED TO THREADS.
8	2	SEC3-7	PLATE, RE-INFORCEMENT, SOLENOID, STAMPED, 304 STAINLESS
7	2	V-599-1	SOL OPER, END MOUNT, LOCKING O'RIDE
6	1	SSA48-1E	ADAPTOR, END MNT SOLENOID, 1/2", 3/4" & 1" VALVE
5	1	AY-ESY8	ASSY - SPR CTR, CLSD CTR SPOOL, END MOUNT SOLENOID, 3/4" & 1" VALVES
4	8	V-46	SCREW, 1/4-20 X 3/4, SOCKET HEAD CAP
3	2	ECG48	GASKET - END CAP, 1/2", 3/4" & 1" VALVE
2	6	V-30	O-RING, BUNA-N, 70 DURO, AS-220, (REF 1-3/8 X 1-5/8 X 1/8), 3/4" & 1" VALVES
1	1	B8-1	BODY, 1" SIDE PORT, UPPER PILOTS, ANODIZED
FLG	QTY	PART NO	DESCRIPTION

LIMITS ON DIMENSIONS UNLESS OTHERWISE SPECIFIED		2-PL DECIMAL ± .01 3-PL DECIMAL ± .005 FRACTIONAL ± 1/64 ANGULAR ± 1/2°	AAA PRODUCTS INTERNATIONAL 7114 Harry Hines Blvd Dallas, TX 75235								
DRAWN: RMckenna	DATE: 2/4/2016	CHECKED: KWaite		DATE: 2/4/2016							
SCALE: 1 : 1	SHEET: 1 OF 1	RELEASED: HWomack	DATE: 2/4/2016								
COIL VOLTAGES <table border="1"> <tr> <th>PART NO</th> <th>REPLACE COIL</th> </tr> <tr> <td>ESY8MO 240/60</td> <td>V-569-4</td> </tr> <tr> <td>ESY8MO 24VDC</td> <td>V-569-3</td> </tr> <tr> <td>ESY8MO 12VDC</td> <td>V-569-2</td> </tr> </table>		PART NO	REPLACE COIL	ESY8MO 240/60	V-569-4	ESY8MO 24VDC	V-569-3	ESY8MO 12VDC	V-569-2	TITLE: 1" SIDE PORT, DBL SOL, 3 POS, SPR CTR, SOL SHFT, CLSD CTR SPL, FLYING LEAD, 120/60, LCKNG OVRD	PART NO.: ESY8MO
PART NO	REPLACE COIL										
ESY8MO 240/60	V-569-4										
ESY8MO 24VDC	V-569-3										
ESY8MO 12VDC	V-569-2										



THE INFORMATION CONTAINED WITHIN THIS DOCUMENT IS PROPRIETARY TO AAA PRODUCTS AND MAY NOT BE DISCLOSED WITHOUT PRIOR WRITTEN CONSENT

P:\Engineering\Product\Valve Assembly\Standard\DWG\ESY8MO.dwg