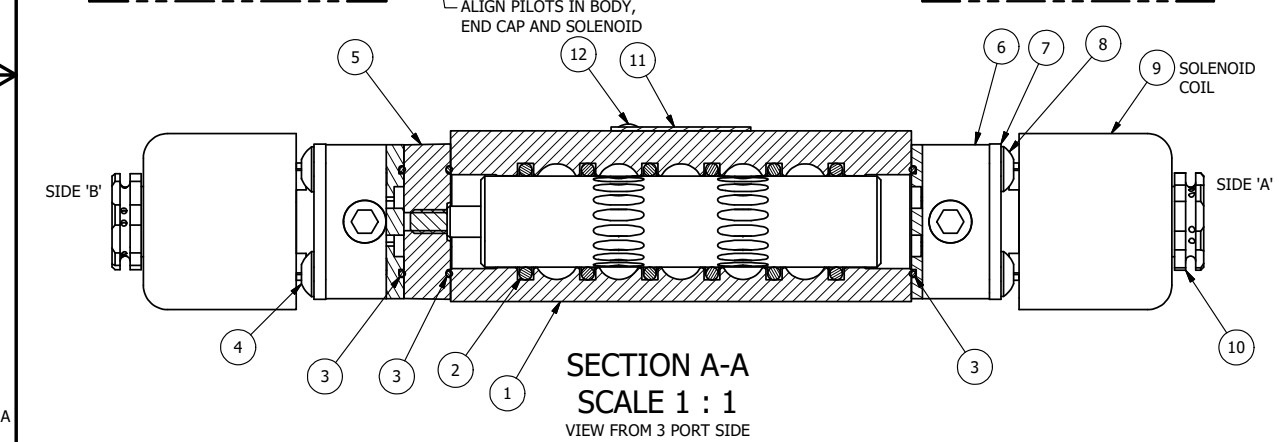


PILOT HOLE

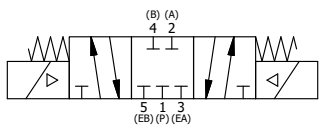
ALIGN PILOT AND SLOT IN ADAPTOR WITH GASKET IN BETWEEN, BOTH SIDES. FOR EXTERNAL PILOT OPERATION - ROTATE ADAPTOR 180 DEGREES. REMOVE 1/8" NPTF PLUG AND SUPPLY 50-150 PSI TO 1/8" NPTF PILOT PORT IN ADAPTOR.



NOTES:  
1) ALWAYS GIVE VALVE MODEL AND PART NUMBER WHEN ORDERING PARTS.  
2) FOR DIFFERENT VOLTAGES OTHER THAN 120/60, REPLACE SOLENOID COIL WITH COIL LISTED IN TABLE BELOW.

|     |     |         |  |
|-----|-----|---------|--|
| 12  | 2   | V-212   | SCREW, #2 X 3/16 DRIVE, TYPE U, OVAL HEAD, STAINLESS STEEL                       |
| 11  | 1   | AN-114  | NAMEPLATE, BLANK, FOR VALVES WITH SPRINGS OR DETENTS                             |
| 10  | 2   | V-562   | NUT, SOLENOID, SIDE EXHAUST  |
| 9   | 2   | V-593-1 | COIL - 120VAC EXP PROOF, 1/2" NPTF STAINLESS CONNECTION, NASS #0568 05.1-00/6874 |
| 8   | 4   | V-584   | SCREW, 10-24 X 1, BUTTON HEAD SOCKET CAP WITH MICROSPHERE APPLIED TO THREADS.    |
| 7   | 2   | SEC3-7  | PLATE, RE-INFORCEMENT, SOLENOID, STAMPED, 304 STAINLESS                          |
| 6   | 2   | V-599-1 | SOL OPER, END MOUNT, LOCKING O'RIDE  |
| 5   | 1   | AY-EMY3 | ASSY - SPR CTR, CLSD CTR SPL, END MOUNT SOLENOID, 1/4" & 3/8" VALVES             |
| 4   | 4   | V-601   | SCREW, 10-24 X 1-1/2, BUTTON HEAD SOCKET CAP WITH MICROSPHERE ADHESIVE           |
| 3   | 3   | EMG3    | GASKET - END MOUNT SOLENOID, BUNA-N, 1/4" & 3/8" VALVES                          |
| 2   | 6   | V-39    | O-RING, VITON, STD BODY, 1/4" & 3/8" VALVES                                      |
| 1   | 1   | B3-1E   | BODY - SOLID, BUTTON BLEEDER, ANODIZED, 3/8" SIDE PORT VALVE                     |
| FLG | QTY | PART NO | DESCRIPTION  |

|   |                 |  |                             |  |
|---|-----------------|--|-----------------------------|--|
| LIMITS ON DIMENSIONS UNLESS OTHERWISE SPECIFIED   |                 | 2-PL DECIMAL ± .01<br>3-PL DECIMAL ± .005<br>FRACTIONAL ± 1/64<br>ANGULAR ± 1/2° |                             | <b>AAA PRODUCTS INTERNATIONAL</b><br>7114 Harry Hines Blvd<br>Dallas, TX 75235 |
| DRAWN: RMckenna   | DATE: 9/25/2018 | CHECKED: KWaite  | DATE: 9/25/2018             |  |
| SCALE: 1 : 1  | SHEET: 1 OF 1   | RELEASED: HWomack  | DATE: 9/25/2018             |  |
| TITLE:<br><b>3/8" SIDE PORT, DBL SOL, 3 POS, SPR CTR, CLSD CTR SPL, EXPL PROOF, 120/60, LCKNG OVRD, SIDE VENT</b> |                 |  | PART NO.:<br><b>ESY3XOC</b> | REV.:<br><b>A</b>  |



| COIL VOLTAGES  |              |
|----------------|--------------|
| PART NO        | REPLACE COIL |
| ESY3XOC 12VDC  | V-593-2      |
| ESY3XOC 24VDC  | V-593-3      |
| ESY3XOC 240/60 | V-593-4      |

|     |          |  |
|-----|----------|--|
| A   | 6/1/2018 | ECG3 GASKET TO EMG3, CHNGD END CAP GEOM. |
| NO. | DATE     | REVISION                                 |

THE INFORMATION CONTAINED WITHIN THIS DOCUMENT IS PROPRIETARY TO AAA PRODUCTS AND MAY NOT BE DISCLOSED WITHOUT PRIOR WRITTEN CONSENT

P:\Engineering\Product Valve Assembly\Standard 3/8" DWG\ESY3XOC.dwg