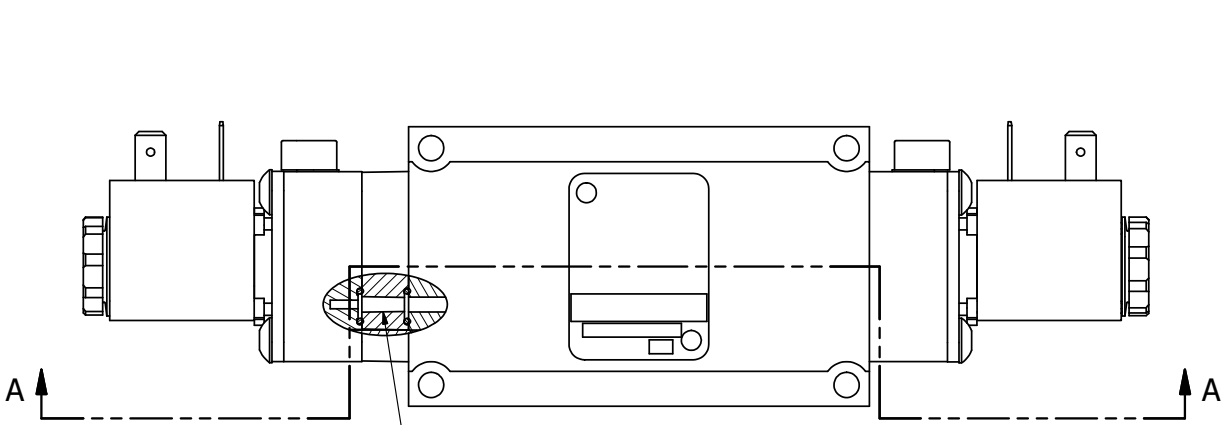
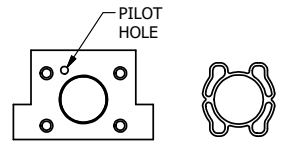


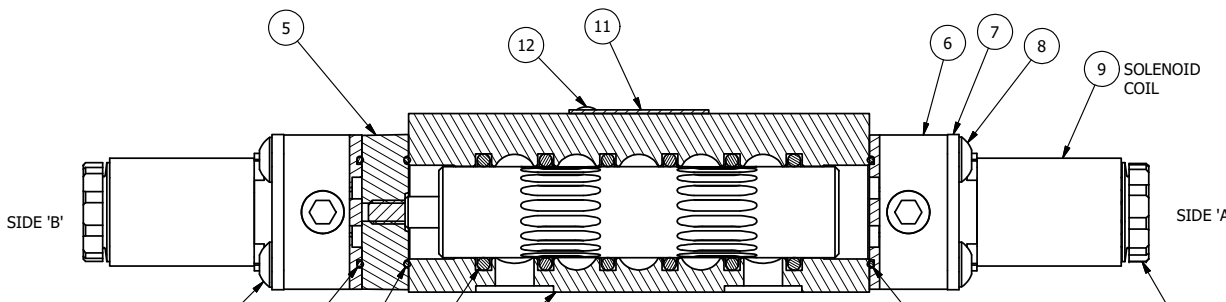
4 | 3 | 2 | 1



ALIGN PILOTS IN BODY,  
END CAP AND SOLENOID



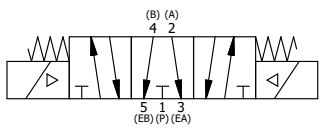
ALIGN PILOT AND SLOT IN ADAPTOR  
WITH GASKET IN BETWEEN, BOTH SIDES.  
FOR EXTERNAL PILOT OPERATION - ROTATE ADAPTOR  
180 DEGREES. REMOVE 1/8" NPTF PLUG AND  
SUPPLY 50-150 PSI TO 1/8" NPTF PILOT PORT IN ADAPTOR.



**SECTION A-A**  
**SCALE 1 : 1**  
VIEW FROM 3 PORT SIDE

|     |     |          |   |
|-----|-----|----------|---|
| 13  | 1   | SPK-3    | KIT - SUBPLATE MOUNTING, 3/8" SUBPLATE VALVES                                 |
| 12  | 2   | V-212    | SCREW, #2 X 3/16 DRIVE, TYPE U, OVAL HEAD, STAINLESS STEEL                    |
| 11  | 1   | AN-114   | NAMEPLATE, BLANK, FOR VALVES WITH SPRINGS OR DETENTS                          |
| 10  | 2   | V-556    | NUT, SOLENOID, TOP EXHAUST, KNURLED   |
| 9   | 2   | V-551-1  | THERMOPLASTIC ENCAPSULATED COIL 120V 50/60HZ, NASS P/N # 108-030-0455         |
| 8   | 4   | V-584    | SCREW, 10-24 X 1, BUTTON HEAD SOCKET CAP WITH MICROSPHERE APPLIED TO THREADS. |
| 7   | 2   | SEC3-7   | PLATE, RE-INFORCEMENT, SOLENOID, STAMPED, 304 STAINLESS                       |
| 6   | 2   | V-599-1  | SOL OPER, END MOUNT, LOCKING O'RIDE   |
| 5   | 1   | AY-EMY3G | ASSY - SPR CTR, OPEN CTR SPL, END MOUNT SOLENOID, 1/4" & 3/8" VALVES          |
| 4   | 4   | V-601    | SCREW, 10-24 X 1-1/2, BUTTON HEAD SOCKET CAP WITH MICROSPHERE ADHESIVE        |
| 3   | 3   | EMG3     | GASKET - END MOUNT SOLENOID, BUNA-N, 1/4" & 3/8" VALVES                       |
| 2   | 6   | V-39     | O-RING, VITON, STD BODY, 1/4" & 3/8" VALVES                                   |
| 1   | 1   | BP3-1E   | BODY - SOLID, BUTTON BLEEDER, ANODIZED, 3/8" SUBPLATE VALVE                   |
| FLG | QTY | PART NO  | DESCRIPTION   |

NOTES:  
1) ALWAYS GIVE VALVE MODEL AND PART NUMBER WHEN ORDERING PARTS.  
2) FOR DIFFERENT VOLTAGES OTHER THAN 120/60, REPLACE SOLENOID COIL WITH COIL LISTED IN TABLE BELOW.



| COIL VOLTAGES  |              |
|----------------|--------------|
| PART NO        | REPLACE COIL |
| ESY3PGO 12VDC  | V-551-2      |
| ESY3PGO 24VDC  | V-551-3      |
| ESY3PGO 240/60 | V-551-4      |

|  |                |  |                             |  |
|--|----------------|--|-----------------------------|--|
| LIMITS ON DIMENSIONS<br>UNLESS OTHERWISE SPECIFIED   |                | 2-PL DECIMAL ± .01<br>3-PL DECIMAL ± .005<br>FRACTIONAL ± 1/64<br>ANGULAR ± 1/2° |                             | <b>AAA PRODUCTS INTERNATIONAL</b><br>7114 Harry Hines Blvd<br>Dallas, TX 75235 |
| DRAWN: RMckenna  | DATE: 2/4/2016 | CHECKED: KWaite  | DATE: 2/4/2016              |  |
| SCALE: 1 : 1   | SHEET: 1 OF 1  | RELEASED: HWomack  | DATE: 2/4/2016              |  |
| TITLE:<br><b>3/8" SUBPLATE, DBL SOL, 3 POS,<br/>         SPR CTR, SOL SHFT, FLOAT CTR SPL,<br/>         120/60, LCKNG OVRD</b> |                |  | PART NO.:<br><b>ESY3PGO</b> | REV.:<br><b>A</b>  |

| A   | 6/1/2018 | ECG3 GASKET TO EMG3, CHNGD END CAP GEOM. |
|-----|----------|--|
| NO. | DATE     | REVISION                                 |

4 | 3 | 2 | 1

THE INFORMATION CONTAINED WITHIN THIS DOCUMENT IS PROPRIETARY TO AAA PRODUCTS AND MAY NOT BE DISCLOSED WITHOUT PRIOR WRITTEN CONSENT

P:\Engineering\Product Valve Assembly\Standard DWG\ESY3PGO.dwg