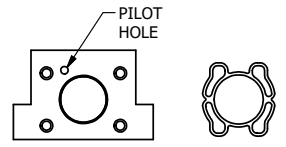
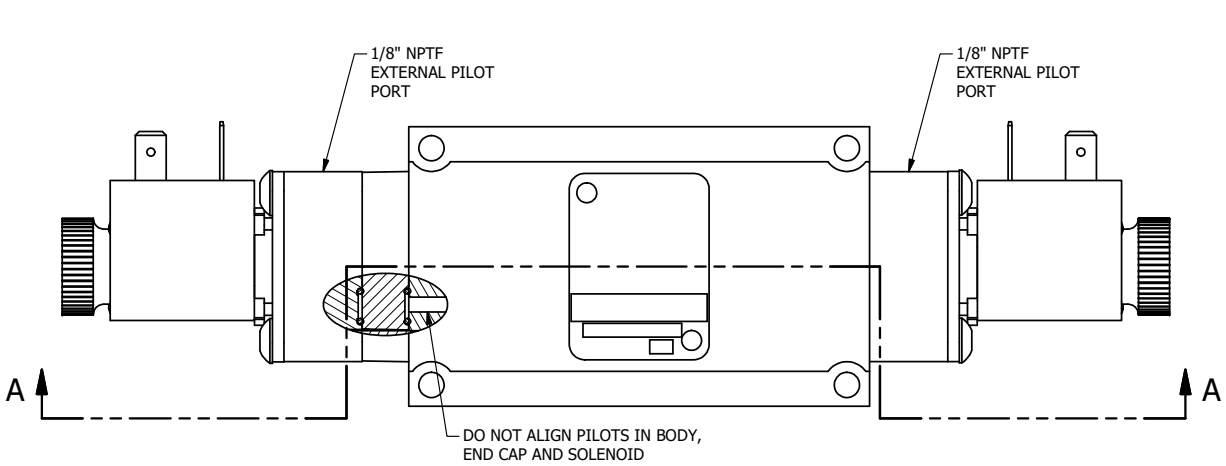
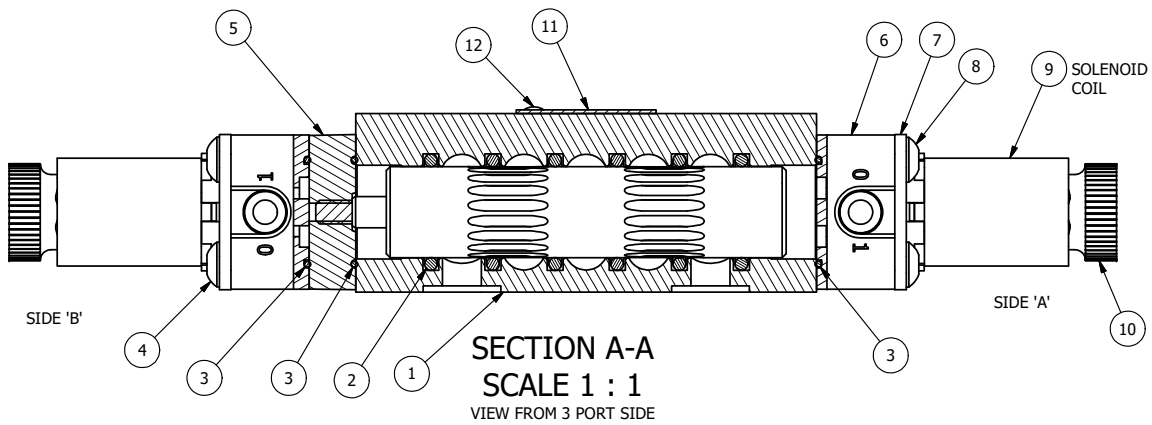


4 3 2 1



ALIGN PILOT AND SLOT IN ADAPTOR WITH GASKET IN BETWEEN, BOTH SIDES (ADAPTOR SHOULD BE INSTALLED AS SHOWN) SUPPLY 50-150 PSI TO 1/8\"/>

DO NOT ALIGN PILOTS IN BODY, END CAP AND SOLENOID



NOTES:  
 1) ALWAYS GIVE VALVE MODEL AND PART NUMBER WHEN ORDERING PARTS.  
 2) FOR DIFFERENT VOLTAGES OTHER THAN 120/60, REPLACE SOLENOID COIL WITH COIL LISTED IN TABLE BELOW.

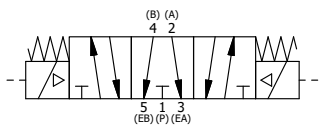
|     |     |          |   |
|-----|-----|----------|---|
| 13  | 1   | SPK-3    | KIT - SUBPLATE MOUNTING, 3/8\"/>  |
| 12  | 2   | V-212    | SCREW, #2 X 3/16 DRIVE, TYPE U, OVAL HEAD, STAINLESS STEEL                    |
| 11  | 1   | AN-114   | NAMEPLATE, BLANK, FOR VALVES WITH SPRINGS OR DETENTS                          |
| 10  | 2   | V-567W   | E SERIES SINTERED BRONZE MUFFLER, DUST EXCLUDER, V-613 LOCK WASHER            |
| 9   | 2   | V-551-1  | THERMOPLASTIC ENCAPSULATED COIL 120V 50/60HZ, NASS P/N # 108-030-0455         |
| 8   | 4   | V-584    | SCREW, 10-24 X 1, BUTTON HEAD SOCKET CAP WITH MICROSPHERE APPLIED TO THREADS. |
| 7   | 2   | SEC3-7   | PLATE, RE-INFORCEMENT, SOLENOID, STAMPED, 304 STAINLESS                       |
| 6   | 2   | V-550-1  | SOL OPER, END MOUNT, NON-LOCKING O-RING                                       |
| 5   | 1   | AY-EMY3G | ASSY - SPR CTR, OPEN CTR SPL, END MOUNT SOLENOID, 1/4\"/>                     |
| 4   | 4   | V-601    | SCREW, 10-24 X 1-1/2, BUTTON HEAD SOCKET CAP WITH MICROSPHERE ADHESIVE        |
| 3   | 3   | EMG3     | GASKET - END MOUNT SOLENOID, BUNA-N, 1/4\"/>                                  |
| 2   | 6   | V-39     | O-RING, VITON, STD BODY, 1/4\"/>  |
| 1   | 1   | BP3-1E   | BODY - SOLID, BUTTON BLEEDER, ANODIZED, 3/8\"/>                               |
| FLG | QTY | PART NO  | DESCRIPTION   |

LIMITS ON DIMENSIONS UNLESS OTHERWISE SPECIFIED  
 2-PL DECIMAL ± .01  
 3-PL DECIMAL ± .005  
 FRACTIONAL ± 1/64  
 ANGULAR ± 1/2°

**AAA PRODUCTS INTERNATIONAL**  
 7114 Harry Hines Blvd  
 Dallas, TX 75235

DRAWN: RMckenna DATE: 5/12/2019 CHECKED: KWaite DATE: 5/12/2019  
 SCALE: 1 : 1 SHEET: 1 OF 1 RELEASED: HWomack DATE: 5/12/2019

| COIL VOLTAGES   |              |
|-----------------|--------------|
| PART NO         | REPLACE COIL |
| ESY3PGLZ 12VDC  | V-551-2      |
| ESY3PGLZ 24VDC  | V-551-3      |
| ESY3PGLZ 240/60 | V-551-4      |



TITLE:  
**3/8\"/>**

| A   | 6/1/2018 | ECG3 GASKET TO EMG3, CHNGD END CAP GEOM. |
|-----|----------|--|
| NO. | DATE     | REVISION                                 |

4 3 2 1

THE INFORMATION CONTAINED WITHIN THIS DOCUMENT IS PROPRIETARY TO AAA PRODUCTS AND MAY NOT BE DISCLOSED WITHOUT PRIOR WRITTEN CONSENT