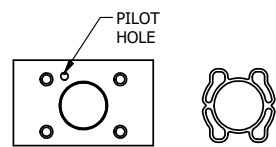


4 | 3 | 2 | 1

1/8" NPTF EXTERNAL PILOT PORT

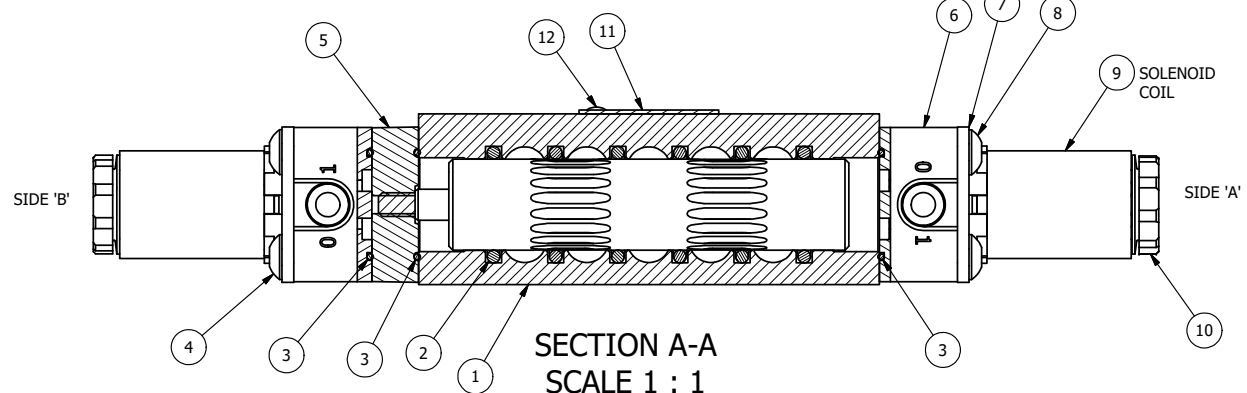
1/8" NPTF EXTERNAL PILOT PORT



ALIGN PILOT AND SLOT IN ADAPTOR WITH GASKET IN BETWEEN, BOTH SIDES (ADAPTOR SHOULD BE INSTALLED AS SHOWN) SUPPLY 50-150 PSI TO 1/8" NPTF PILOT PORT IN ADAPTOR.

A ↑

DO NOT ALIGN PILOTS IN BODY, END CAP AND SOLENOID

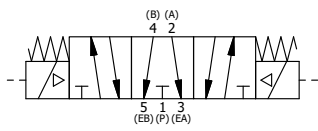


SECTION A-A  
SCALE 1 : 1  
VIEW FROM 3 PORT SIDE

12	2	V-212	SCREW, #2 X 3/16 DRIVE, TYPE U, OVAL HEAD, STAINLESS STEEL
11	1	AN-114	NAMEPLATE, BLANK, FOR VALVES WITH SPRINGS OR DETENTS
10	2	V-556	NUT, SOLENOID, TOP EXHAUST, KNURLED
9	2	V-569-1	SYSTEM 8 COIL 120 50/60.NASS # 0561 38.1 00/4984.
8	4	V-584	SCREW, 10-24 X 1, BUTTON HEAD SOCKET CAP WITH MICROSPHERE APPLIED TO THREADS.
7	2	SEC3-7	PLATE, RE-INFORCEMENT, SOLENOID, STAMPED, 304 STAINLESS
6	2	V-550-1	SOL OPER, END MOUNT, NON-LOCKING O-RING
5	1	AY-EMY3G	ASSY - SPR CTR, OPEN CTR SPL, END MOUNT SOLENOID, 1/4" & 3/8" VALVES
4	4	V-601	SCREW, 10-24 X 1-1/2, BUTTON HEAD SOCKET CAP WITH MICROSPHERE ADHESIVE
3	3	EMG3	GASKET - END MOUNT SOLENOID, BUNA-N, 1/4" & 3/8" VALVES
2	6	V-39	O-RING, VITON, STD BODY, 1/4" & 3/8" VALVES
1	1	B3-1E	BODY - SOLID, BUTTON BLEEDER, ANODIZED, 3/8" SIDE PORT VALVE
FLG	QTY	PART NO	DESCRIPTION

NOTES:  
1) ALWAYS GIVE VALVE MODEL AND PART NUMBER WHEN ORDERING PARTS.  
2) FOR DIFFERENT VOLTAGES OTHER THAN 120/60, REPLACE SOLENOID COIL WITH COIL LISTED IN TABLE BELOW.

LIMITS ON DIMENSIONS UNLESS OTHERWISE SPECIFIED		2-PL DECIMAL ± .01 3-PL DECIMAL ± .005 FRACTIONAL ± 1/64 ANGULAR ± 1/2°	<b>AAA PRODUCTS INTERNATIONAL</b> 7114 Harry Hines Blvd Dallas, TX 75235											
DRAWN: RMckenna	DATE: 6/8/2016	CHECKED: KWaite		DATE: 6/8/2016										
SCALE: 1 : 1	SHEET: 1 OF 1	RELEASED: HWomack	DATE: 6/8/2016											
COIL VOLTAGES <table border="1"> <tr> <th>PART NO</th> <th>REPLACE COIL</th> </tr> <tr> <td>ESY3GMZ</td> <td>V-569-1</td> </tr> <tr> <td>ESY3GMZ 12VDC</td> <td>V-569-2</td> </tr> <tr> <td>ESY3GMZ 24VDC</td> <td>V-569-3</td> </tr> <tr> <td>ESY3GMZ 240/60</td> <td>V-569-4</td> </tr> </table>		PART NO	REPLACE COIL	ESY3GMZ	V-569-1	ESY3GMZ 12VDC	V-569-2	ESY3GMZ 24VDC	V-569-3	ESY3GMZ 240/60	V-569-4	TITLE: <b>3/8" SIDE PORT, DBL SOL, 3 POS, SPR CTR, SOL SHFT, FLOAT CTR SPL, FLYING LEAD, 120/60, EXT PILOT</b>	PART NO.: <b>ESY3GMZ</b>	REV.: <b>A</b>
PART NO	REPLACE COIL													
ESY3GMZ	V-569-1													
ESY3GMZ 12VDC	V-569-2													
ESY3GMZ 24VDC	V-569-3													
ESY3GMZ 240/60	V-569-4													



A	6/1/2018	ECG3 GASKET TO EMG3, CHNGD END CAP GEOM.
NO.	DATE	REVISION

4 | 3 | 2 | 1

THE INFORMATION CONTAINED WITHIN THIS DOCUMENT IS PROPRIETARY TO AAA PRODUCTS AND MAY NOT BE DISCLOSED WITHOUT PRIOR WRITTEN CONSENT

P:\Engineering\product\Valve Assembly\Standard\DWG\ESY3GMZ.dwg