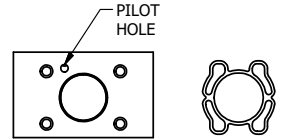
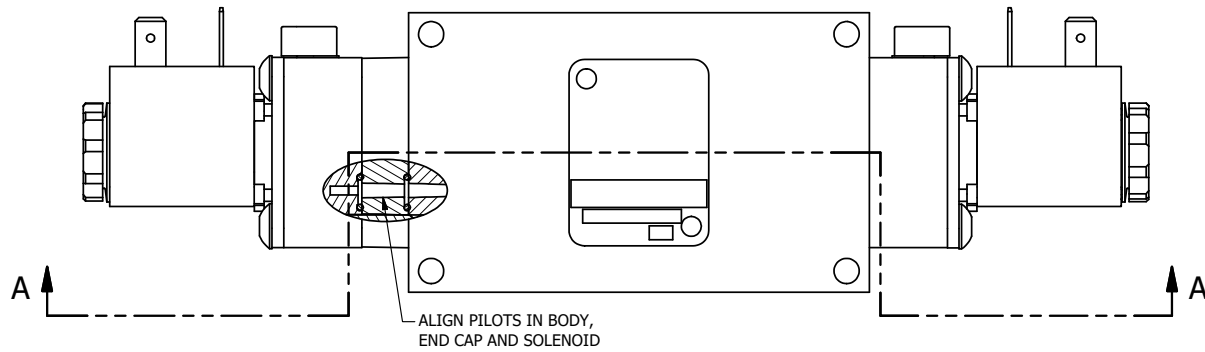


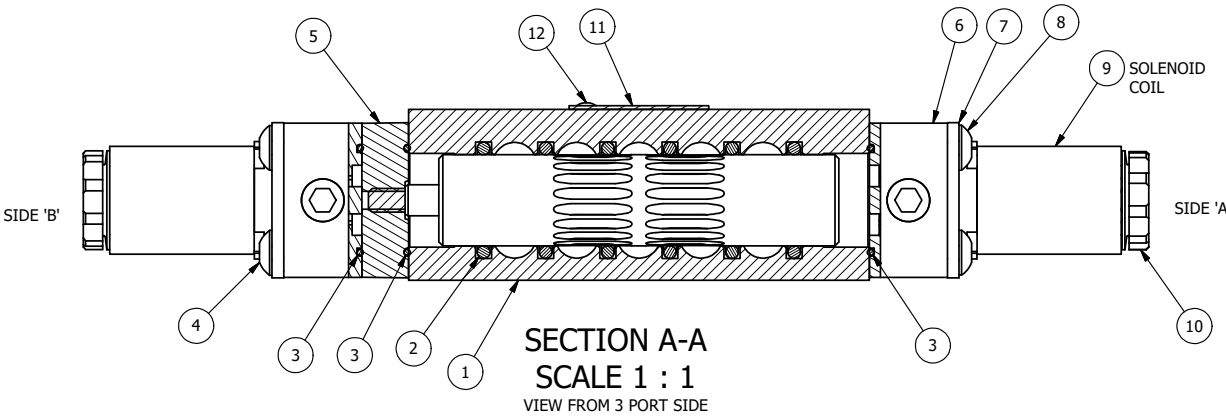
4 | 3 | 2 | 1



ALIGN PILOT AND SLOT IN ADAPTOR WITH GASKET IN BETWEEN, BOTH SIDES. FOR EXTERNAL PILOT OPERATION - ROTATE ADAPTOR 180 DEGREES. REMOVE 1/8" NPTF PLUG AND SUPPLY 50-150 PSI TO 1/8" NPTF PILOT PORT IN ADAPTOR.



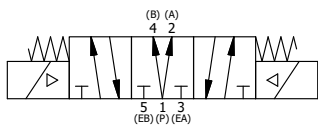
ALIGN PILOTS IN BODY, END CAP AND SOLENOID



SECTION A-A
SCALE 1 : 1
VIEW FROM 3 PORT SIDE

| | | | |
|-----|-----|----------|---|
| 12 | 2 | V-212 | SCREW, #2 X 3/16 DRIVE, TYPE U, OVAL HEAD, STAINLESS STEEL |
| 11 | 1 | AN-114 | NAMEPLATE, BLANK, FOR VALVES WITH SPRINGS OR DETENTS |
| 10 | 2 | V-556 | NUT, SOLENOID, TOP EXHAUST, KNURLED |
| 9 | 2 | V-551-1 | THERMOPLASTIC ENCAPSULATED COIL 120V 50/60HZ, NASS P/N # 108-030-0455 |
| 8 | 4 | V-584 | SCREW, 10-24 X 1, BUTTON HEAD SOCKET CAP WITH MICROSPHERE APPLIED TO THREADS. |
| 7 | 2 | SEC3-7 | PLATE, RE-INFORCEMENT, SOLENOID, STAMPED, 304 STAINLESS |
| 6 | 2 | V-599-1 | SOL OPER, END MOUNT, LOCKING O'RIDE |
| 5 | 1 | AY-EMY3D | ASSY - SPR CTR, REGEN CTR SPL, END MOUNT SOLENOID, 1/4" & 3/8" VALVES |
| 4 | 4 | V-601 | SCREW, 10-24 X 1-1/2, BUTTON HEAD SOCKET CAP WITH MICROSPHERE ADHESIVE |
| 3 | 3 | EMG3 | GASKET - END MOUNT SOLENOID, BUNA-N, 1/4" & 3/8" VALVES |
| 2 | 6 | V-39 | O-RING, VITON, STD BODY, 1/4" & 3/8" VALVES |
| 1 | 1 | B2-1E | BODY - SOLID, BUTTON BLEEDER, ANODIZED, 1/4" SIDE PORT VALVE |
| FLG | QTY | PART NO | DESCRIPTION |

NOTES:
1) ALWAYS GIVE VALVE MODEL AND PART NUMBER WHEN ORDERING PARTS.
2) FOR DIFFERENT VOLTAGES OTHER THAN 120/60, REPLACE SOLENOID COIL WITH COIL LISTED IN TABLE BELOW.



| COIL VOLTAGES | |
|---------------|--------------|
| PART NO | REPLACE COIL |
| ESY2DO 12VDC | V-551-2 |
| ESY2DO 24VDC | V-551-3 |
| ESY2DO 240/60 | V-551-4 |

| | | | | |
|---|--|--|----------------------------|---|
| LIMITS ON DIMENSIONS UNLESS OTHERWISE SPECIFIED | | 2-PL DECIMAL ± .01 3-PL DECIMAL ± .005 FRACTIONAL ± 1/64 ANGULAR ± 1/2° | | <p>AAA PRODUCTS INTERNATIONAL 7114 Harry Hines Blvd Dallas, TX 75235</p> |
| DRAWN: RMckenna | | DATE: 2/8/2016 | | |
| SCALE: 1 : 1 | | SHEET: 1 OF 1 | | <p>CHECKED: KWaite DATE: 2/8/2016</p> <p>RELEASED: HWomack DATE: 2/8/2016</p> |
| <p>TITLE: 1/4" SIDE PORT, DBL SOL, 3 POS, SPR CTR, SOL SHFT, REGEN CTR SPL, 120/60, LCKNG OVRD</p> | | | PART NO.: ESY2DO | REV.: A |

| A | NO. | DATE | REVISION |
|---|----------|--|----------|
| | 6/1/2018 | ECG3 GASKET TO EMG3, CHNGD END CAP GEOM. | |

4 | 3 | 2 | 1

THE INFORMATION CONTAINED WITHIN THIS DOCUMENT IS PROPRIETARY TO AAA PRODUCTS AND MAY NOT BE DISCLOSED WITHOUT PRIOR WRITTEN CONSENT

P:\Engineering\Product Valve Assembly\Standard DWG\ESY2DO.dwg