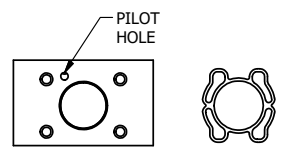
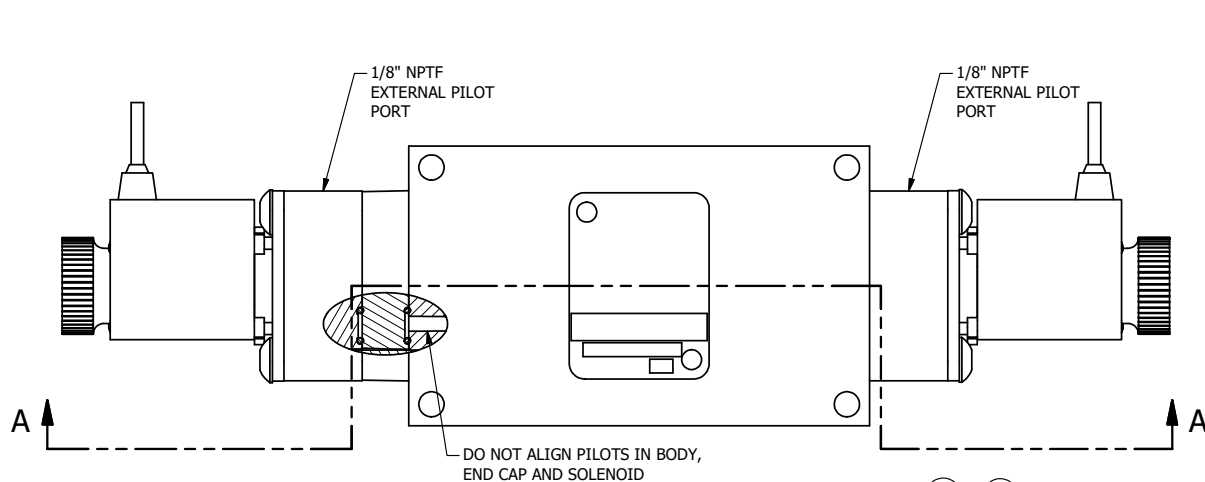
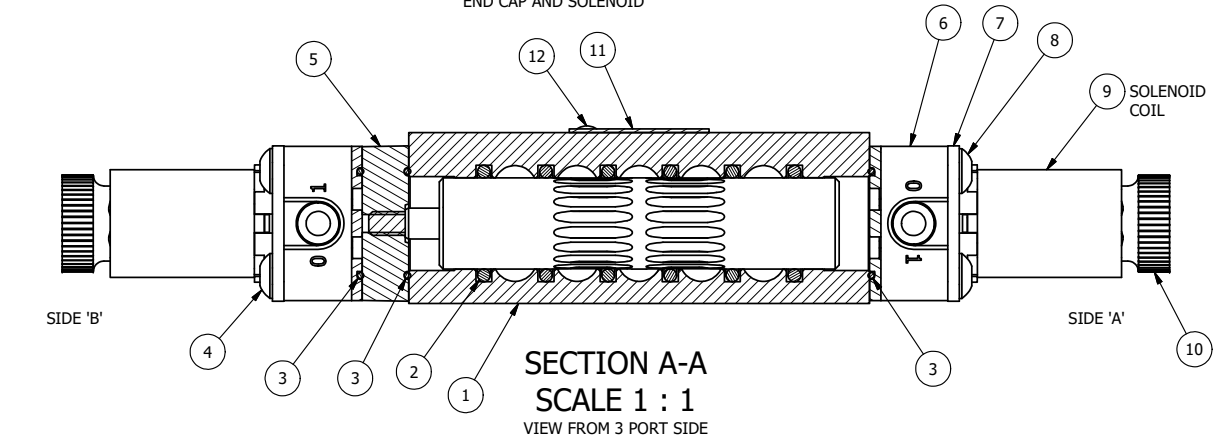


4 | 3 | 2 | 1



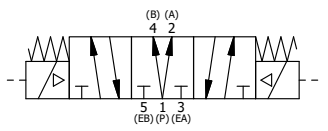
ALIGN PILOT AND SLOT IN ADAPTOR WITH GASKET IN BETWEEN, BOTH SIDES (ADAPTOR SHOULD BE INSTALLED AS SHOWN) SUPPLY 50-150 PSI TO 1/8" NPTF PILOT PORT IN ADAPTOR.



NOTES:  
 1) ALWAYS GIVE VALVE MODEL AND PART NUMBER WHEN ORDERING PARTS.  
 2) FOR DIFFERENT VOLTAGES OTHER THAN 120/60, REPLACE SOLENOID COIL WITH COIL LISTED IN TABLE BELOW.

|     |     |         |   |
|-----|-----|---------|---|
| 12  | 2   | V-212   | SCREW, #2 X 3/16 DRIVE, TYPE U, OVAL HEAD, STAINLESS STEEL                    |
| 11  | 1   | AN-114  | NAMEPLATE, BLANK, FOR VALVES WITH SPRINGS OR DETENTS                          |
| 10  | 2   | V-567W  | E SERIES SINTERED BRONZE MUFFLER, DUST EXCLUDER, V-613 LOCK WASHER            |
| 9   | 2   | V-569-1 | SYSTEM 8 COIL 120 50/60.NASS # 0561 38.1 00/4984.                             |
| 8   | 4   | V-584   | SCREW, 10-24 X 1, BUTTON HEAD SOCKET CAP WITH MICROSPHERE APPLIED TO THREADS. |
| 7   | 2   | SEC3-7  | PLATE, RE-INFORCEMENT, SOLENOID, STAMPED, 304 STAINLESS                       |
| 6   | 2   | V-550-1 | SOL OPER, END MOUNT, NON-LOCKING O-RING                                       |
| 5   | 1   | AY-EM3D | ASSY - SPR CTR, REGEN CTR SPL, END MOUNT SOLENOID, 1/4" & 3/8" VALVES         |
| 4   | 4   | V-601   | SCREW, 10-24 X 1-1/2, BUTTON HEAD SOCKET CAP WITH MICROSPHERE ADHESIVE        |
| 3   | 3   | EMG3    | GASKET - END MOUNT SOLENOID, BUNA-N, 1/4" & 3/8" VALVES                       |
| 2   | 6   | V-39    | O-RING, VITON, STD BODY, 1/4" & 3/8" VALVES                                   |
| 1   | 1   | B2-1E   | BODY - SOLID, BUTTON BLEEDER, ANODIZED, 1/4" SIDE PORT VALVE                  |
| FLG | QTY | PART NO | DESCRIPTION   |

|   |  |  |           |  |
|---|--|--|-----------|--|
| LIMITS ON DIMENSIONS UNLESS OTHERWISE SPECIFIED   |  | 2-PL DECIMAL ± .01<br>3-PL DECIMAL ± .005<br>FRACTIONAL ± 1/64<br>ANGULAR ± 1/2° |           | <b>AAA PRODUCTS INTERNATIONAL</b><br>7114 Harry Hines Blvd<br>Dallas, TX 75235 |
| DRAWN: RMckenna   |  | DATE: 5/27/2019  |           |  |
| SCALE: 1 : 1  |  | SHEET: 1 OF 1  |           | CHECKED: KWaite<br>DATE: 5/27/2019<br>RELEASED: HWomack<br>DATE: 5/27/2019     |
| TITLE:<br><b>1/4" SIDE PORT, DBL SOL, 3 POS, REGEN SPR CTR, FLYING LEAD, 120/60, DUST EXCLDR, EXT PILOT</b> |  |  | PART NO.: | REV.:  |
|   |  |  | ESY2DMLZ  | A  |



| COIL VOLTAGES   |              |
|-----------------|--------------|
| PART NO         | REPLACE COIL |
| ESY2DMLZ 12VDC  | V-569-2      |
| ESY2DMLZ 24VDC  | V-569-3      |
| ESY2DMLZ 240/60 | V-569-4      |

| A   | 6/1/2018 | ECG3 GASKET TO EMG3, CHNGD END CAP GEOM. |
|-----|----------|--|
| NO. | DATE     | REVISION                                 |

4 | 3 | 2 | 1

THE INFORMATION CONTAINED WITHIN THIS DOCUMENT IS PROPRIETARY TO AAA PRODUCTS AND MAY NOT BE DISCLOSED WITHOUT PRIOR WRITTEN CONSENT