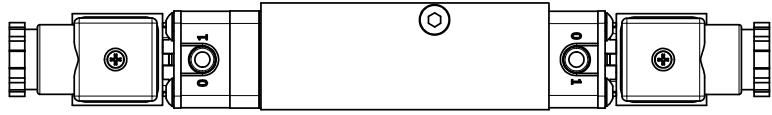
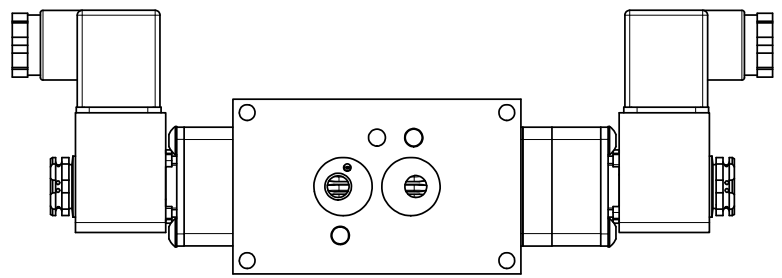
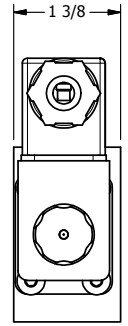
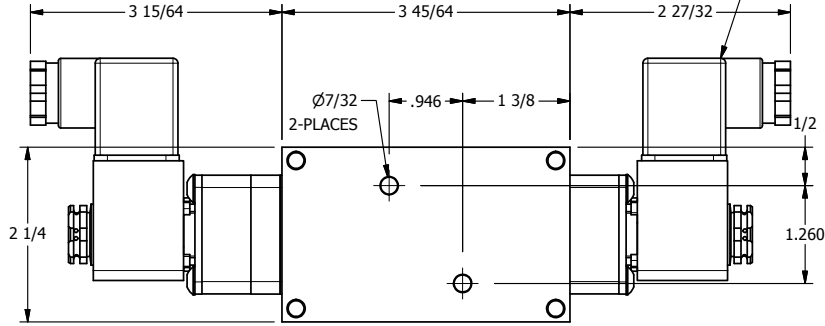


4 3 2 1



3/8" CORD GRIP DIN CAP INCLUDED  
FORM A, ACC. TO EN 175301-803,  
ISO 4400

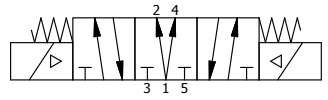
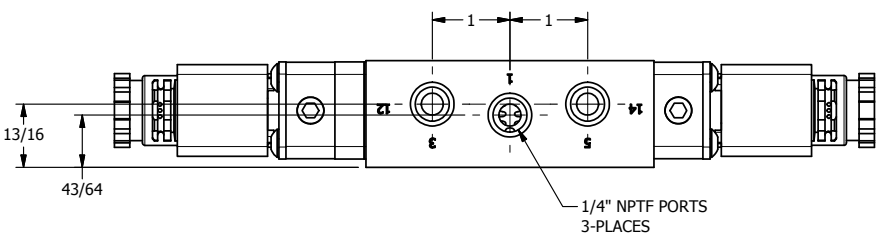


B

B

A

A



4 3 2 1

**AAA**  
PRODUCTS  
INTERNATIONAL  
AAA PRODUCTS  
INTERNATIONAL  
7114 Harry Hines Blvd  
Dallas, TX 75235

TITLE: 1/4" NAMUR, SNGL SOL, 3 POS,  
SPR CTR, REGEN CTR SPL, BRASS & SS,  
INTR SAFE, 24VDC, SIDE VENT

DRAWING NO.:  
DIM\_ZNSY2DAC

THE INFORMATION CONTAINED WITHIN THIS DOCUMENT IS PROPRIETARY TO AAA PRODUCTS AND MAY NOT BE DISCLOSED WITHOUT PRIOR WRITTEN CONSENT