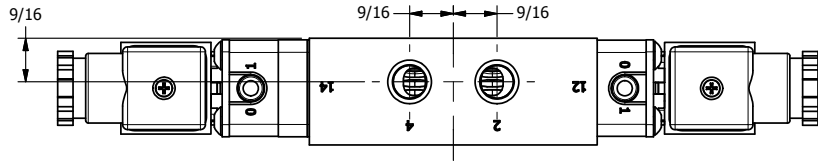
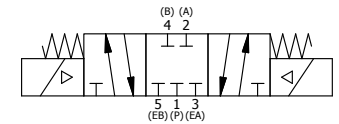
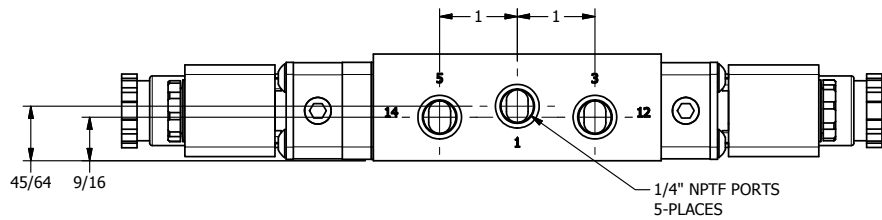
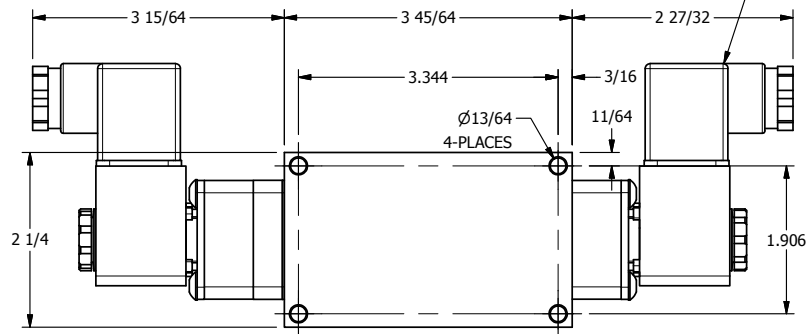


4 3 2 1



3/8" CORD GRIP DIN CAP INCLUDED  
FORM A, ACC. TO EN 175301-803,  
ISO 4400



**AAA**  
PRODUCTS  
INTERNATIONAL

**AAA PRODUCTS  
INTERNATIONAL**  
7114 Harry Hines Blvd  
Dallas, TX 75235

TITLE 1/4" SIDE PORT, DBL SOL, 3 POS,  
SPR CTR, SOL SHFT, CLSD CTR SPL,  
BRASS & SS, INTR SAFE, 24VDC

DRAWING NO.:  
DIM\_ZESY2A

4 3 2 1

THE INFORMATION CONTAINED WITHIN THIS DOCUMENT IS PROPRIETARY TO AAA PRODUCTS AND MAY NOT BE DISCLOSED WITHOUT PRIOR WRITTEN CONSENT