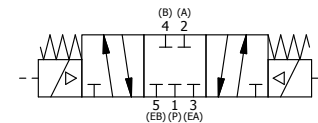
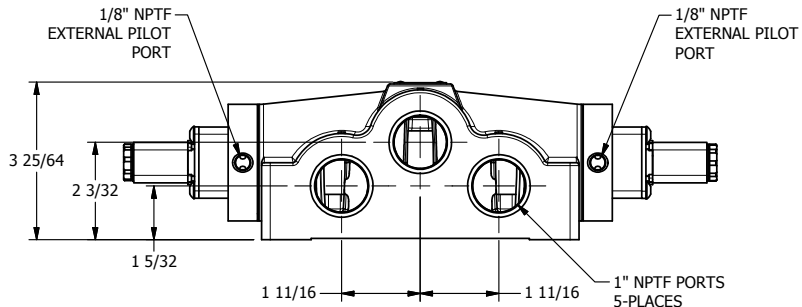
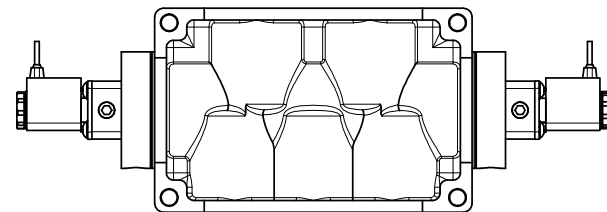
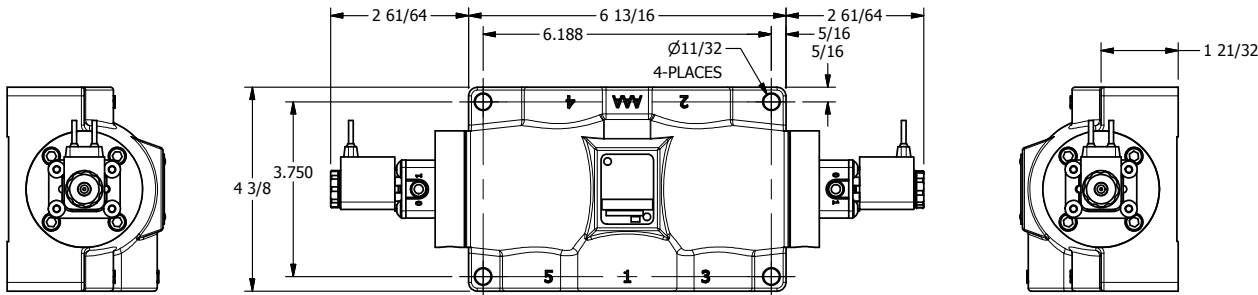
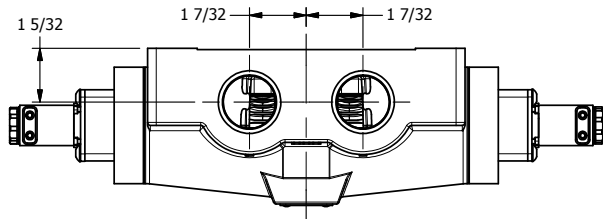


4

3

2

1



TITLE: 1" SIDE PORT, DBL SOL, 3 POS,
SPR CTR, SOL SHFT, CLSD CTR SPL,
FLYING LEAD, EXT PILOT

DRAWING NO.:
DIM_ESY8MZ

4

3

2

1