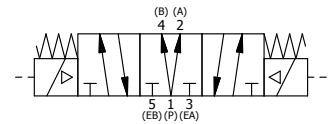
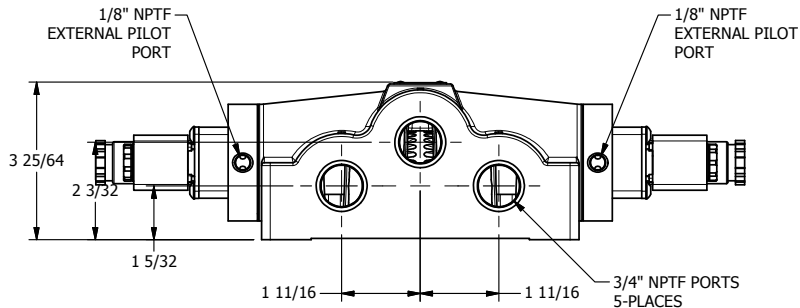
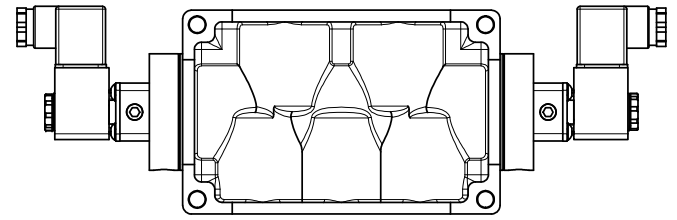
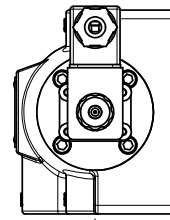
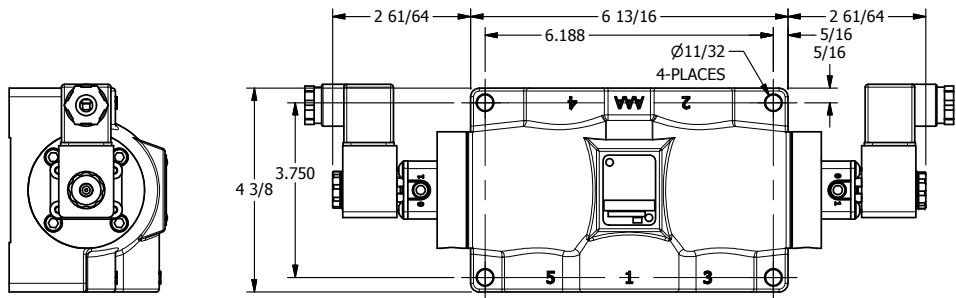


3/8" CORD GRIP DIN CAP INCLUDED
FORM A, ACC. TO EN 175301-803, ISO 4400



AAA
PRODUCTS
INTERNATIONAL
7114 Harry Hines Blvd
Dallas, TX 75235

TITLE: 3/4" SIDE PORT, DBL SOL, 3 POS,
SPR CTR, SOL SHFT, REGEN CTR SPL,
INTR SAFE, EXT PILOT

DRAWING NO.:
DIM_ESY6DAZ

THE INFORMATION CONTAINED WITHIN THIS DOCUMENT IS PROPRIETARY TO AAA PRODUCTS AND MAY NOT BE DISCLOSED WITHOUT PRIOR WRITTEN CONSENT