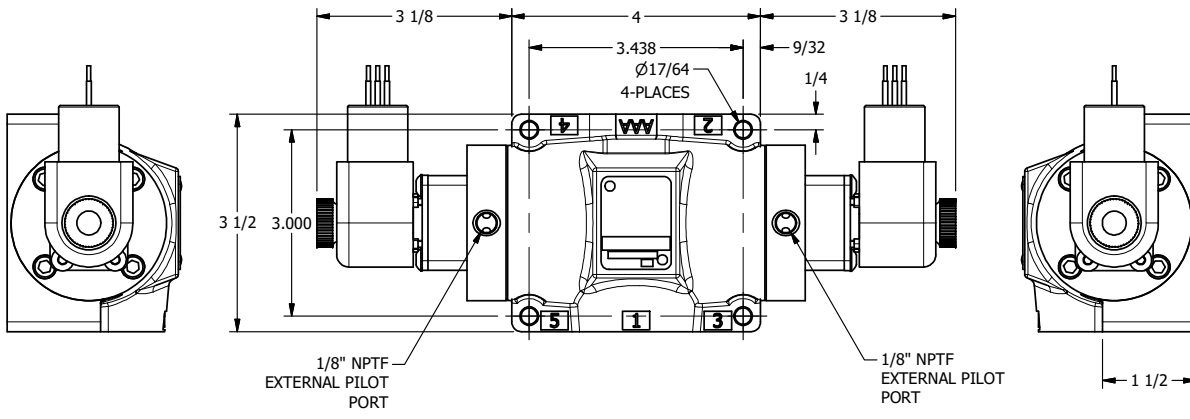
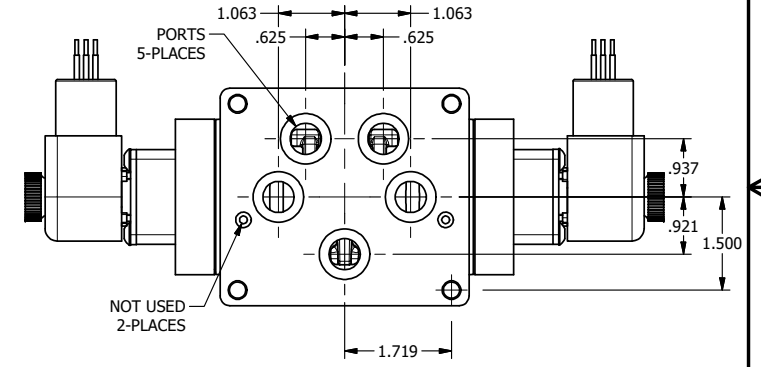


1/2"-14 NPT CONDUIT
CONNECTION
18" LEAD, 3-WIRE



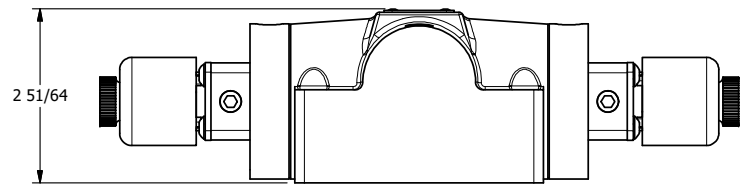
1/8" NPTF
EXTERNAL PILOT
PORT

1/8" NPTF
EXTERNAL PILOT
PORT

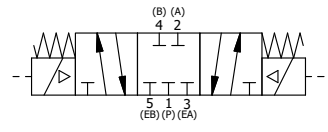


1.063
1.063
PORTS
5-PLACES
.625
.625

NOT USED
2-PLACES



2 51/64



AAA
PRODUCTS
INTERNATIONAL

**AAA PRODUCTS
INTERNATIONAL**
7114 Harry Hines Blvd
Dallas, TX 75235

TITLE: 1/2" SUBPLATE, DBL SOL, 3 POS,
CLSD SPR CTR, EXPL PROOF,
DUST EXCLDR, EXT PILOT

DRAWING NO.:
DIM_ESY4PXLZ

THE INFORMATION CONTAINED WITHIN THIS DOCUMENT IS PROPRIETARY TO AAA PRODUCTS AND MAY NOT BE DISCLOSED WITHOUT PRIOR WRITTEN CONSENT