

4

3

2

1

B

B

A

A

A

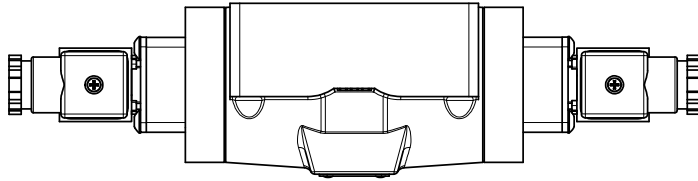
A

4

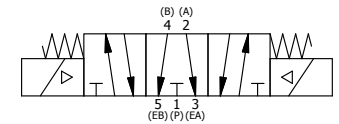
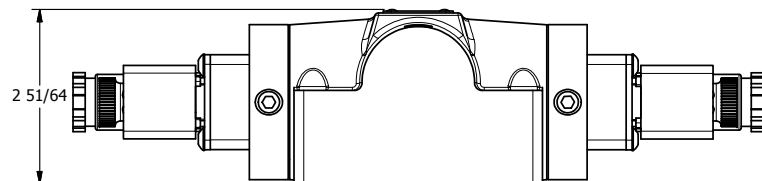
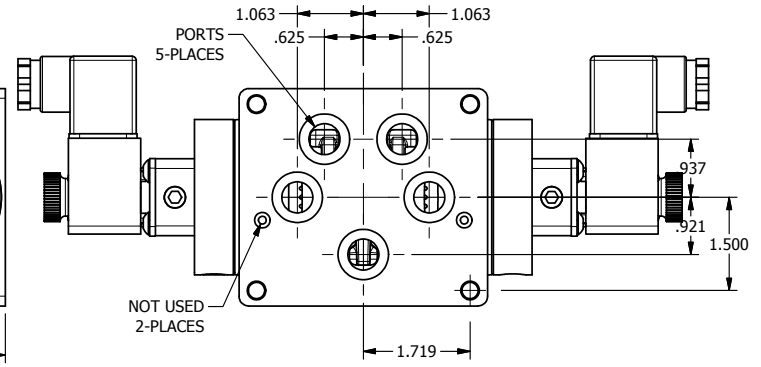
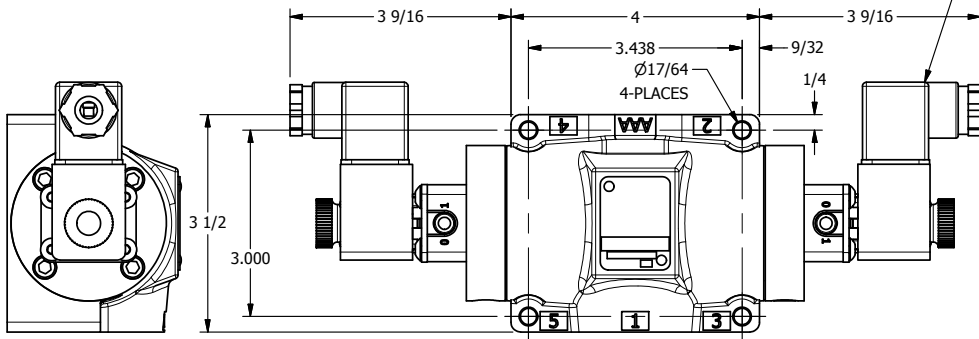
3

2

1



3/8" CORD GRIP DIN CAP INCLUDED
FORM A, ACC. TO EN 175301-803,
ISO 4400



AAA
PRODUCTS
INTERNATIONAL

**AAA PRODUCTS
INTERNATIONAL**
7114 Harry Hines Blvd
Dallas, TX 75235

TITLE: 1/2" SUBPLATE, DBL SOL, 3 POS,
SPR CTR, SOL SHFT, FLOAT CTR SPL,
INTRINSICALLY SAFE, 24VDC, EXCLDR

DRAWING NO.:
DIM_ESY4PGAL

THE INFORMATION CONTAINED WITHIN THIS DOCUMENT IS PROPRIETARY TO AAA PRODUCTS AND MAY NOT BE DISCLOSED WITHOUT PRIOR WRITTEN CONSENT