

4

3

2

1

B

B

A

A

A

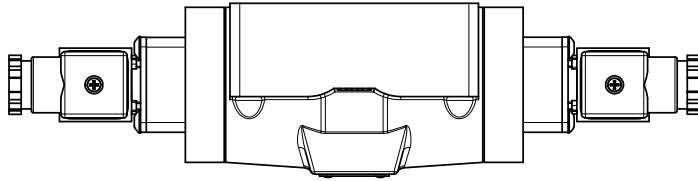
A

4

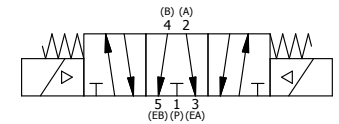
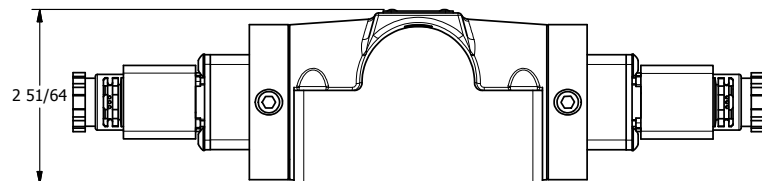
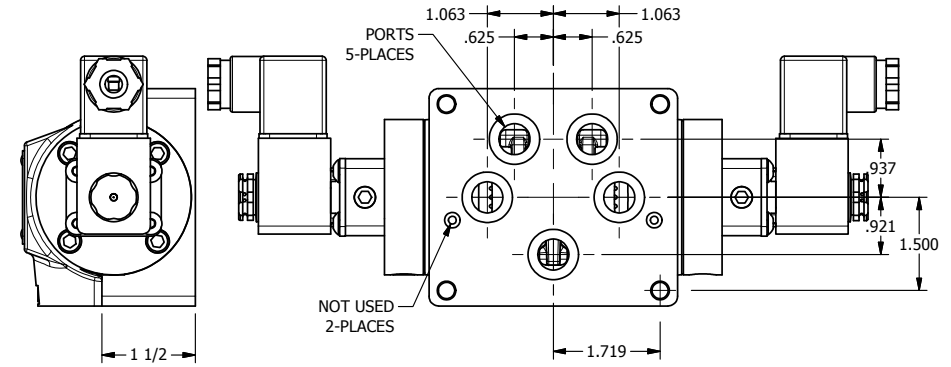
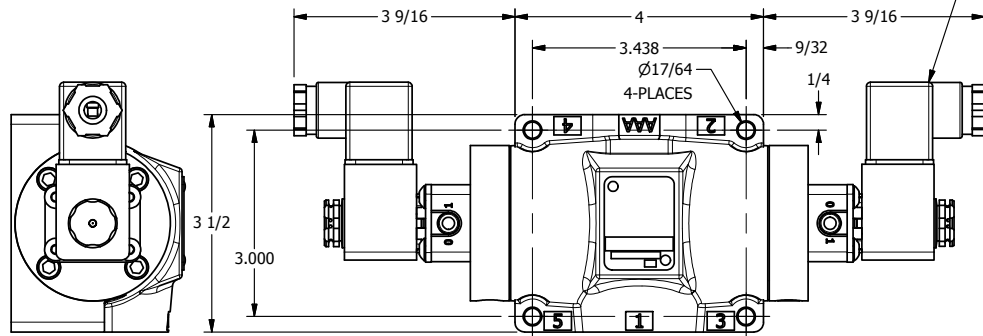
3

2

1



3/8" CORD GRIP DIN CAP INCLUDED  
FORM A, ACC. TO EN 175301-803,  
ISO 4400



**AAA**  
PRODUCTS  
INTERNATIONAL

**AAA PRODUCTS  
INTERNATIONAL**  
7114 Harry Hines Blvd  
Dallas, TX 75235

TITLE: 1/2" SUBPLATE, DBL SOL, 3 POS,  
SPR CTR, SOL SHFT, FLOAT CTR SPL,  
INTR SAFE, 24VDC, SIDE VENT

DRAWING NO.:  
DIM\_ESY4PGAC

THE INFORMATION CONTAINED WITHIN THIS DOCUMENT IS PROPRIETARY TO AAA PRODUCTS AND MAY NOT BE DISCLOSED WITHOUT PRIOR WRITTEN CONSENT