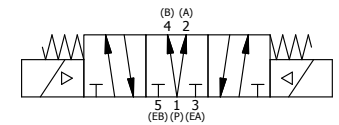
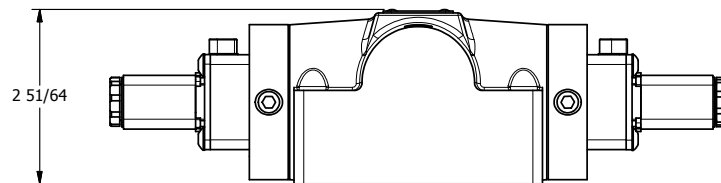
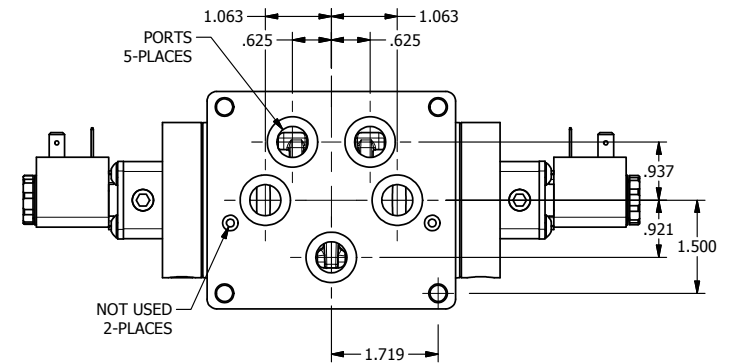
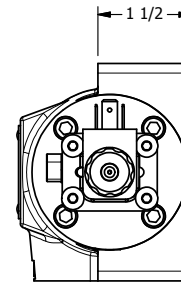
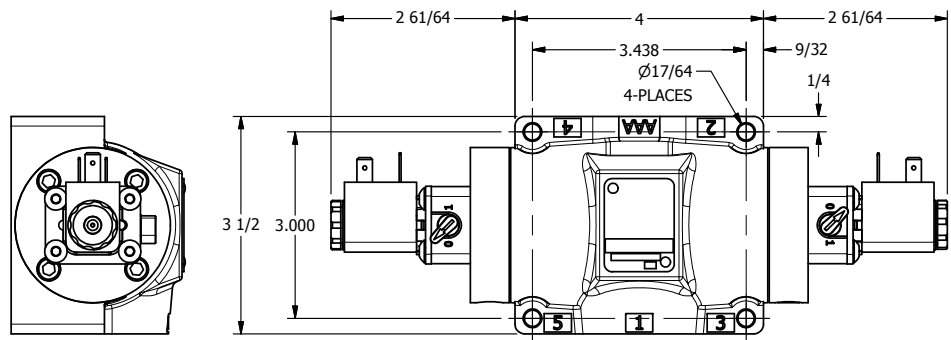
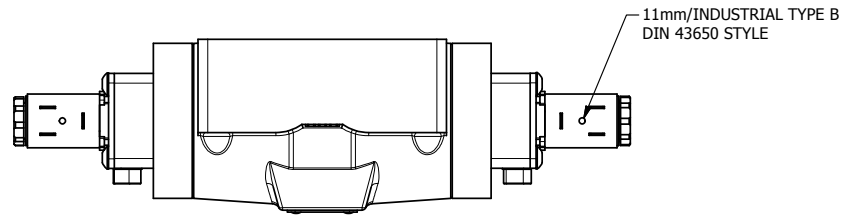


4

3

2

1



TITLE: 1/2" SUBPLATE, DBL SOL, 3 POS,
SPR CTR, SOL SHFT, REGEN CTR SPL,
LCKNG OVRD

DRAWING NO.:
DIM_ESY4PDO

THE INFORMATION CONTAINED WITHIN THIS DOCUMENT IS PROPRIETARY TO AAA PRODUCTS AND MAY NOT BE DISCLOSED WITHOUT PRIOR WRITTEN CONSENT

4

3

2

1

B

B

A

A