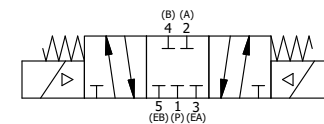
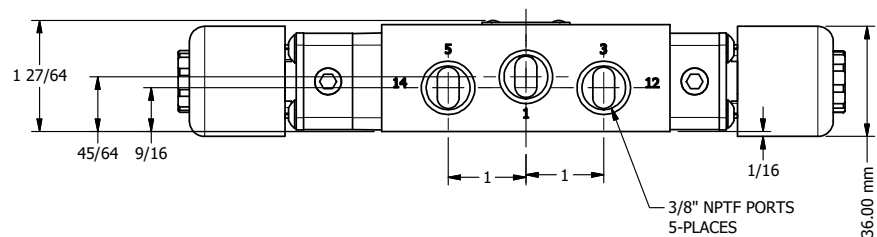
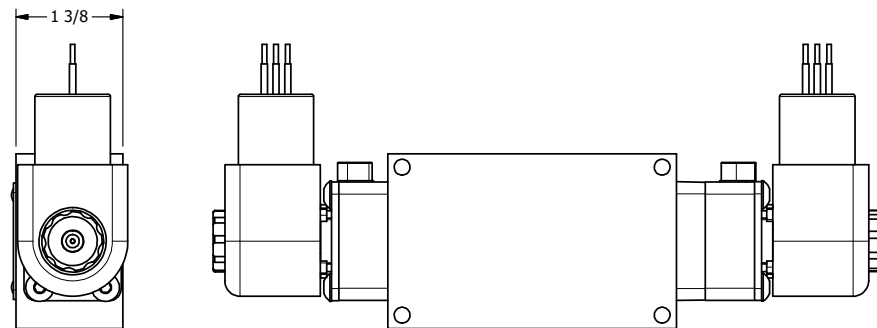
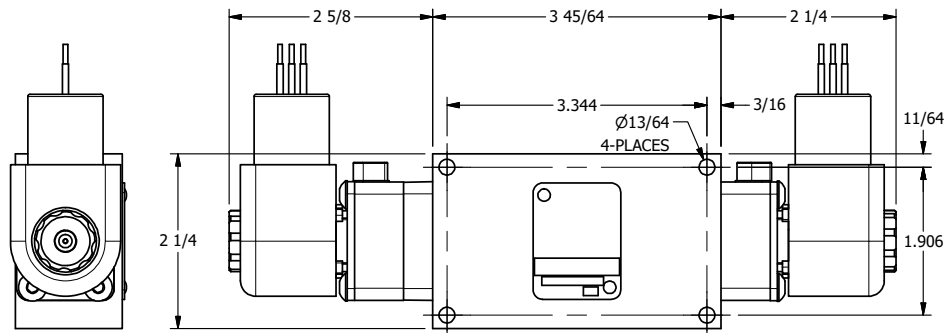
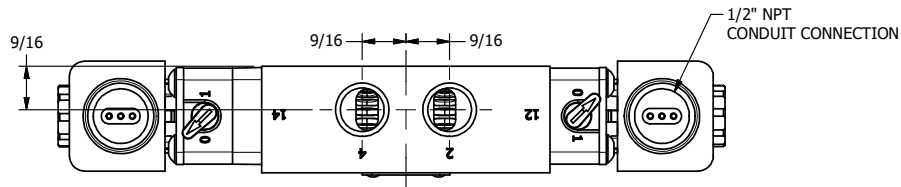


4 3 2 1



4 3 2



TITLE: 3/8" SIDE PORT, DBL SOL, 3 POS,
SPR CTR, SOL SHFT, CLSD CTR SPL,
EXPL PROOF, LCKNG OVRD

DRAWING NO.:
DIM_ESY3XO

THE INFORMATION CONTAINED WITHIN THIS DOCUMENT IS PROPRIETARY TO AAA PRODUCTS AND MAY NOT BE DISCLOSED WITHOUT PRIOR WRITTEN CONSENT