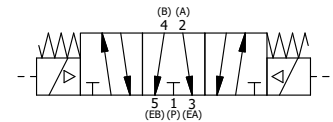
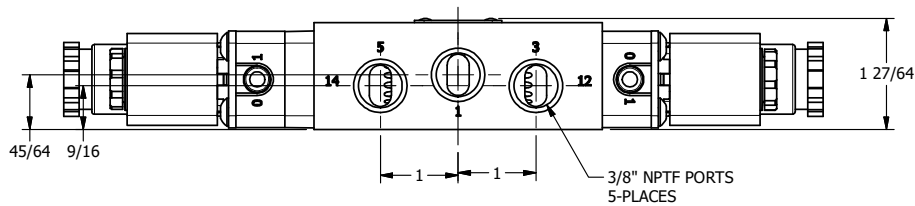
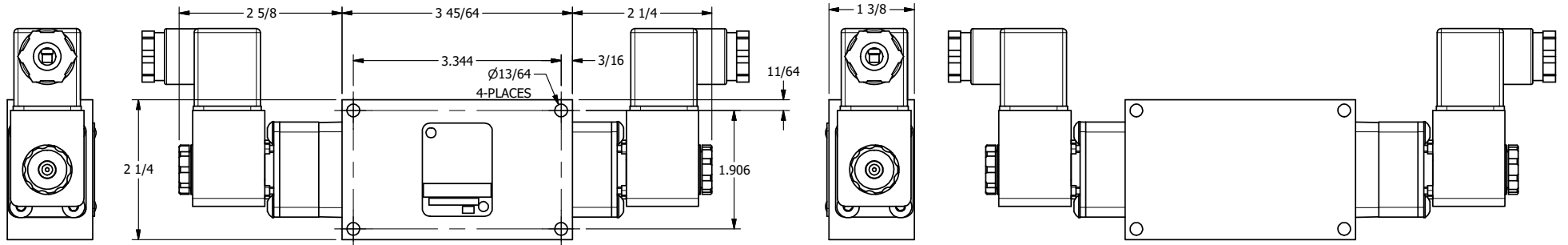
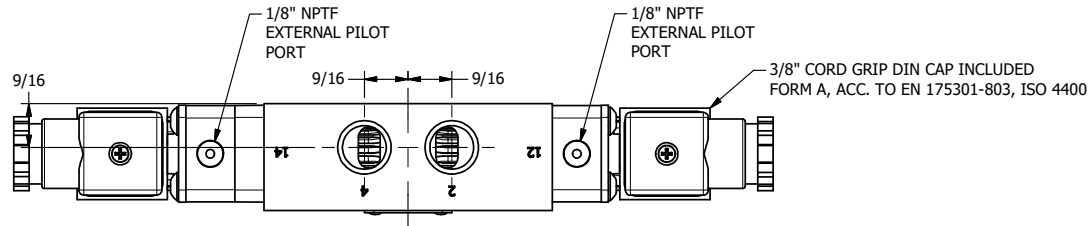


4 | 3 | 2 | 1



4 | 3 | 2



TITLE: 3/8" SIDE PORT, DBL SOL, 3 POS,
SPR CTR, SOL SHFT, FLOAT CTR SPL,
INTR SAFE, EXT PILOT

DRAWING NO.:
DIM_ESY3GAZ

THE INFORMATION CONTAINED WITHIN THIS DOCUMENT IS PROPRIETARY TO AAA PRODUCTS AND MAY NOT BE DISCLOSED WITHOUT PRIOR WRITTEN CONSENT