

4

3

2

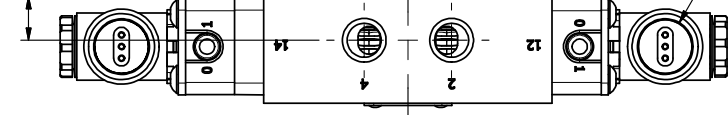
1

9/16

9/16

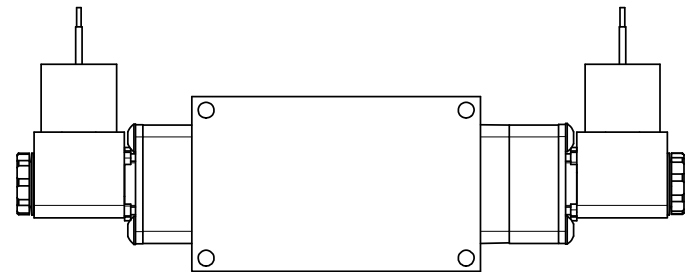
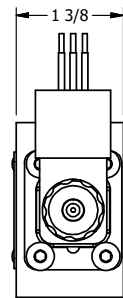
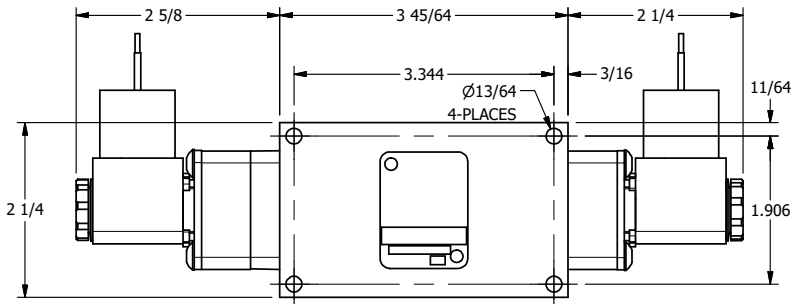
9/16

1/2"-14 NPT CONDUIT CONNECTION
18" LEAD, 3 WIRE



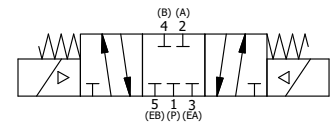
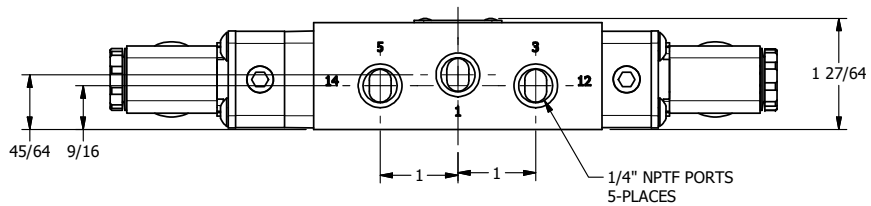
B

B



A

A



4

3

2

AAA
PRODUCTS
INTERNATIONAL
**AAA PRODUCTS
INTERNATIONAL**
7114 Harry Hines Blvd
Dallas, TX 75235

TITLE: 1/4" SIDE PORT, DBL SOL, 3 POS,
SPR CTR, SOL SHFT, CLSD CTR SPL,
MOLD-OVER

DRAWING NO.:
DIM_ESY2J

THE INFORMATION CONTAINED WITHIN THIS DOCUMENT IS PROPRIETARY TO AAA PRODUCTS AND MAY NOT BE DISCLOSED WITHOUT PRIOR WRITTEN CONSENT

A