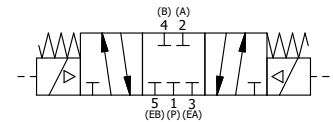
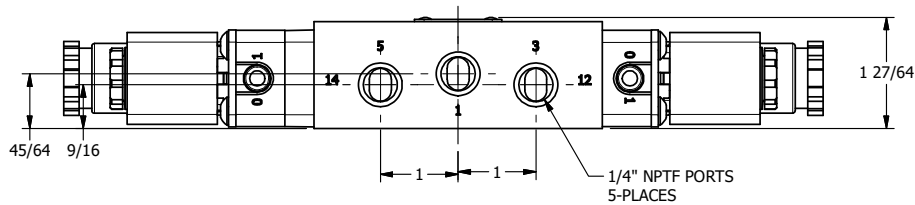
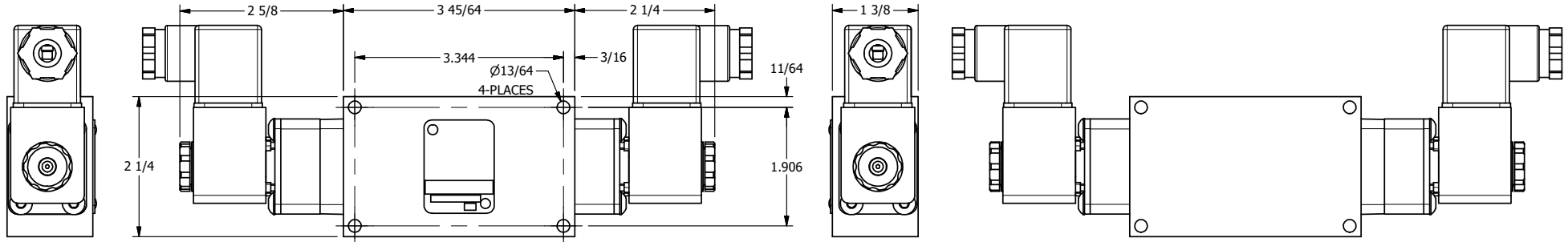
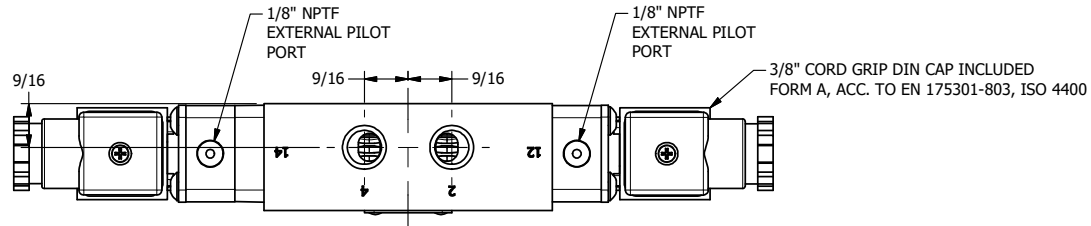


4 | 3 | 2 | 1



4 | 3 | 2



TITLE: 1/4" SIDE PORT, DBL SOL, 3 POS,
SPR CTR, SOL SHFT, CLSD CTR SPL,
INTR SAFE, EXT PILOT

DRAWING NO.:
DIM_ESY2AZ

THE INFORMATION CONTAINED WITHIN THIS DOCUMENT IS PROPRIETARY TO AAA PRODUCTS AND MAY NOT BE DISCLOSED WITHOUT PRIOR WRITTEN CONSENT