

4

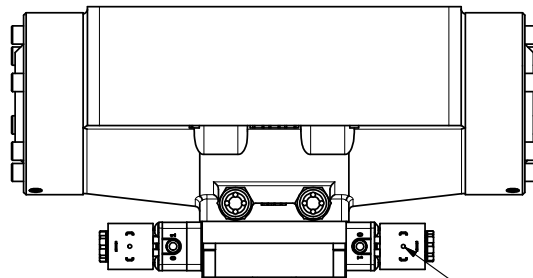
3

2

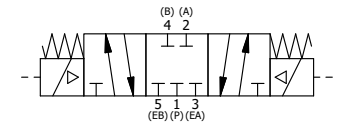
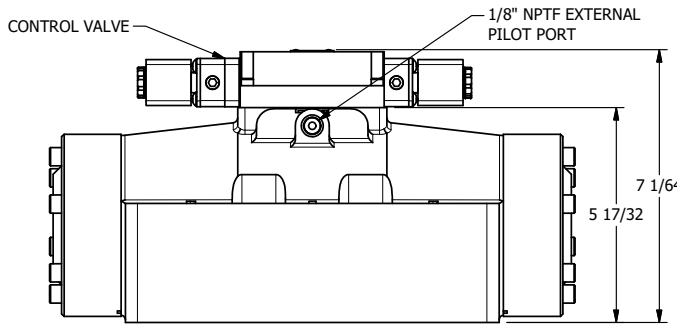
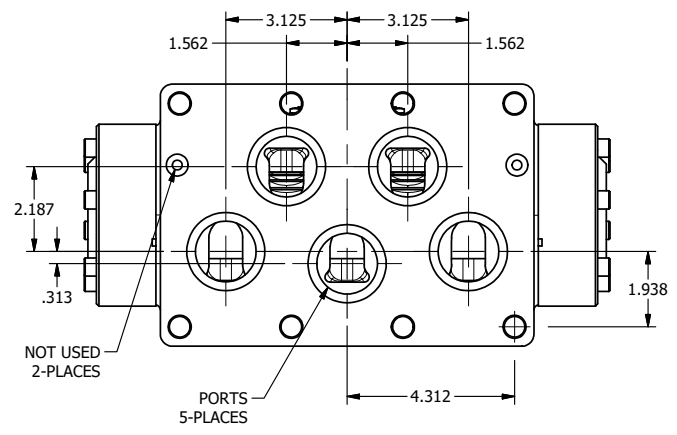
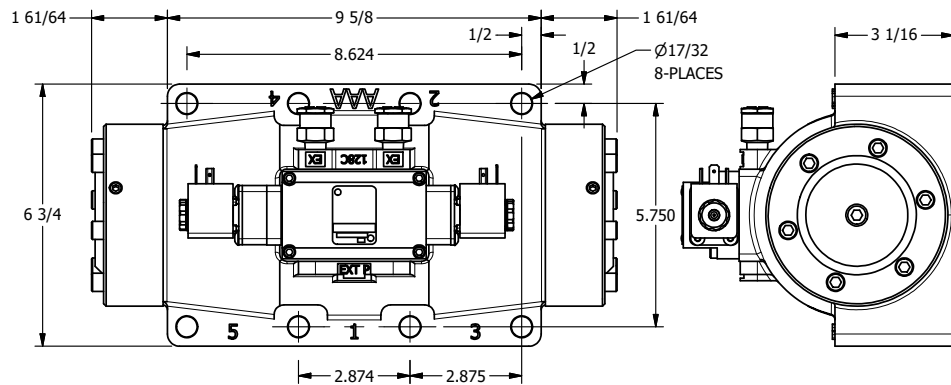
1

B

B



ISO 4400 DIN
CONNECTOR



A

A

4

3

2

1

AAA
PRODUCTS
INTERNATIONAL

**AAA PRODUCTS
INTERNATIONAL**
7114 Harry Hines Blvd
Dallas, TX 75235

TITLE: 2" SUBPLATE, DBL SOL, 3 POS,
SPR CTR, SOL SHFT, CLSD CTR SPL,
HIGH TEMP COIL, EXT PILOT

DRAWING NO.:
DIM_ESY16PHZ

THE INFORMATION CONTAINED WITHIN THIS DOCUMENT IS PROPRIETARY TO AAA PRODUCTS AND MAY NOT BE DISCLOSED WITHOUT PRIOR WRITTEN CONSENT