

4

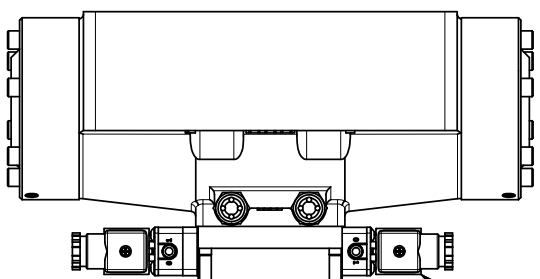
3

2

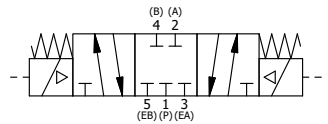
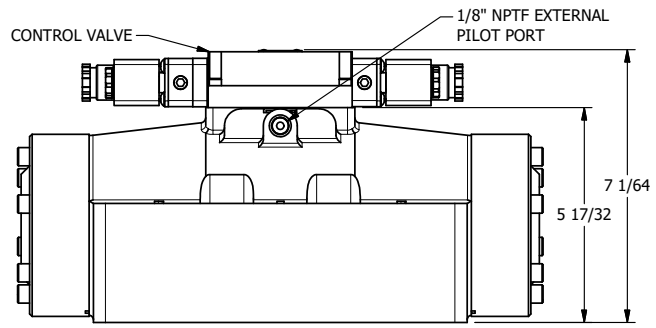
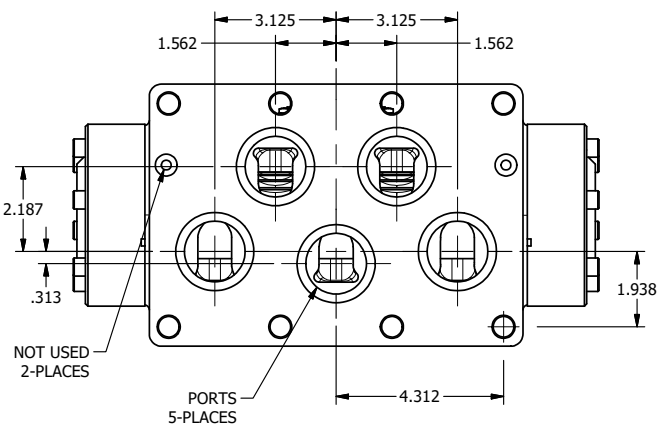
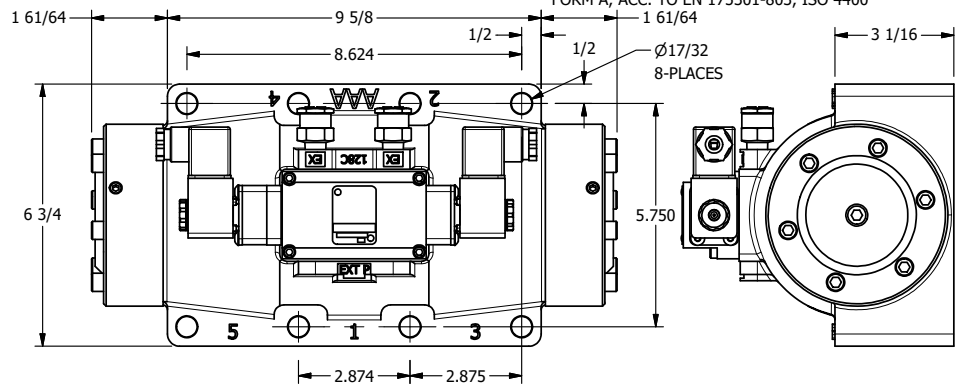
1

B

B



3/8" CORD GRIP DIN CAP INCLUDED  
FORM A, ACC. TO EN 175301-803, ISO 4400



A

A

4

3

2

1

**AAA**  
PRODUCTS  
INTERNATIONAL

**AAA PRODUCTS INTERNATIONAL**  
7114 Harry Hines Blvd  
Dallas, TX 75235

TITLE: 2" SUBPLATE, DBL SOL, 3 POS,  
SPR CTR, SOL SHFT, CLSD CTR SPL,  
INTR SAFE, EXT PILOT

DRAWING NO.:  
DIM\_ESY16PAZ

THE INFORMATION CONTAINED WITHIN THIS DOCUMENT IS PROPRIETARY TO AAA PRODUCTS AND MAY NOT BE DISCLOSED WITHOUT PRIOR WRITTEN CONSENT