

4

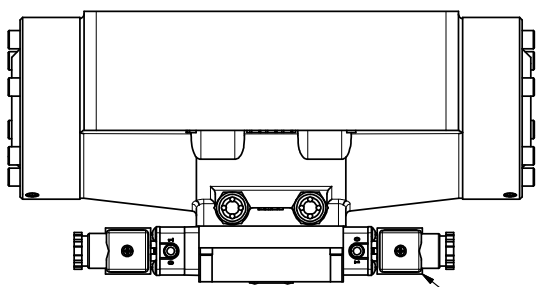
3

2

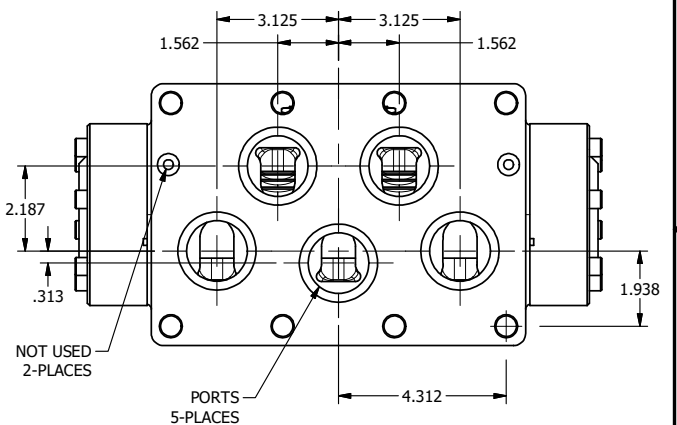
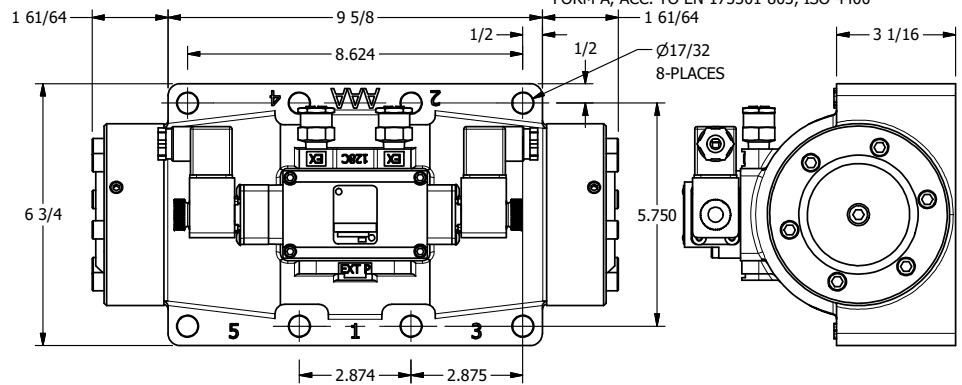
1

B

B

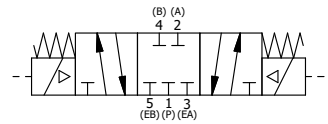
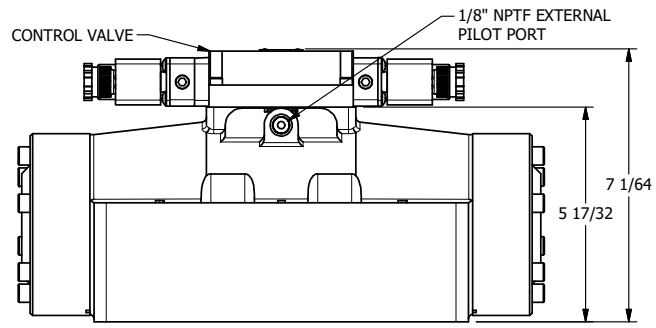


3/8" CORD GRIP DIN CAP INCLUDED
FORM A, ACC. TO EN 175301-803, ISO 4400



A

A



AAA
PRODUCTS
INTERNATIONAL

AAA PRODUCTS INTERNATIONAL
7114 Harry Hines Blvd
Dallas, TX 75235

TITLE: 2" SUBPLATE, DBL SOL, 3 POS,
CLSD SPR CTR, INTR SAFE,
DUST EXCLDR, EXT PILOT

DRAWING NO.:
DIM_ESY16PALZ

4

3

2



THE INFORMATION CONTAINED WITHIN THIS DOCUMENT IS PROPRIETARY TO AAA PRODUCTS AND MAY NOT BE DISCLOSED WITHOUT PRIOR WRITTEN CONSENT