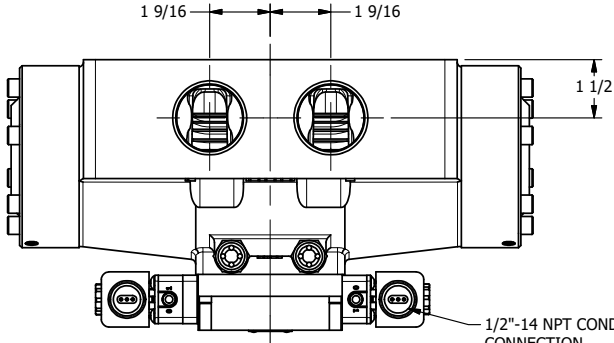


4

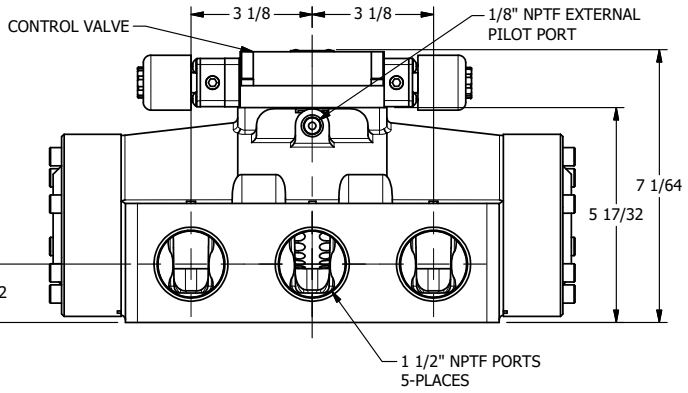
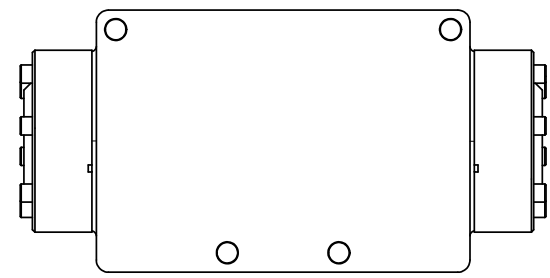
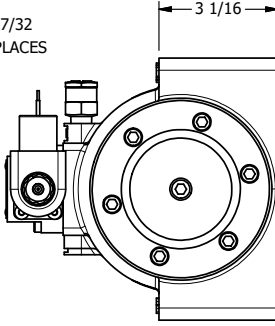
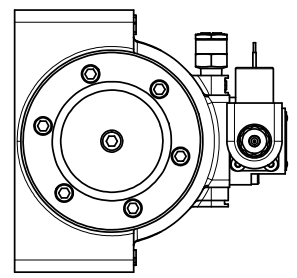
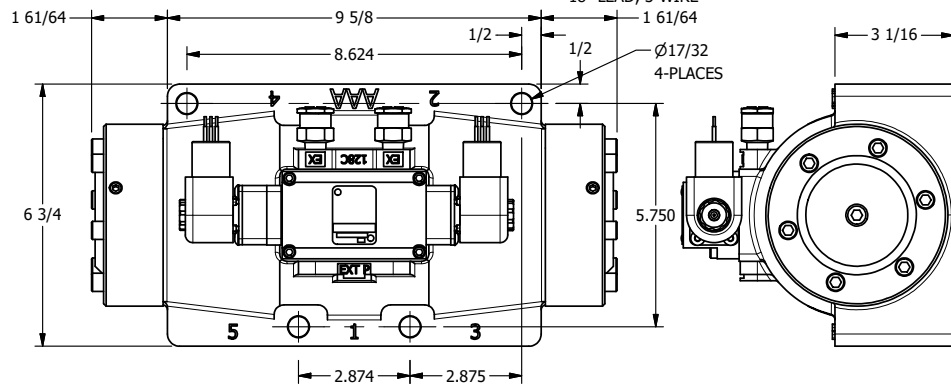
3

2

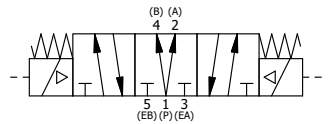
1



1/2"-14 NPT CONDUIT CONNECTION
18" LEAD, 3-WIRE



1 1/2" NPTF PORTS
5-PLACES



AAA
PRODUCTS
INTERNATIONAL
7114 Harry Hines Blvd
Dallas, TX 75235

TITLE: 1 1/2" SIDE PORT, DBL SOL, 3 POS,
SPR CTR, SOL SHFT, REGEN CTR SPL,
EXPL PROOF, EXT PILOT

DRAWING NO.:
DIM_ESY12DXZ

THE INFORMATION CONTAINED WITHIN THIS DOCUMENT IS PROPRIETARY TO AAA PRODUCTS AND MAY NOT BE DISCLOSED WITHOUT PRIOR WRITTEN CONSENT

4

3

2

1