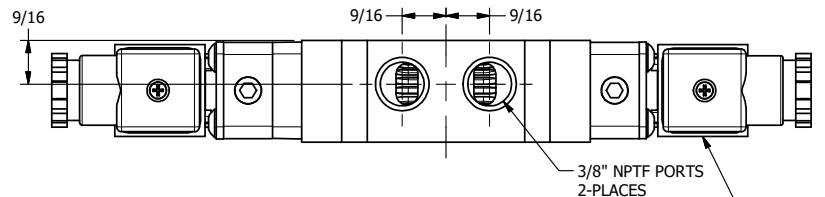
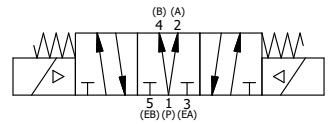
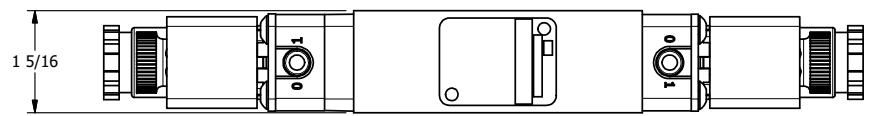
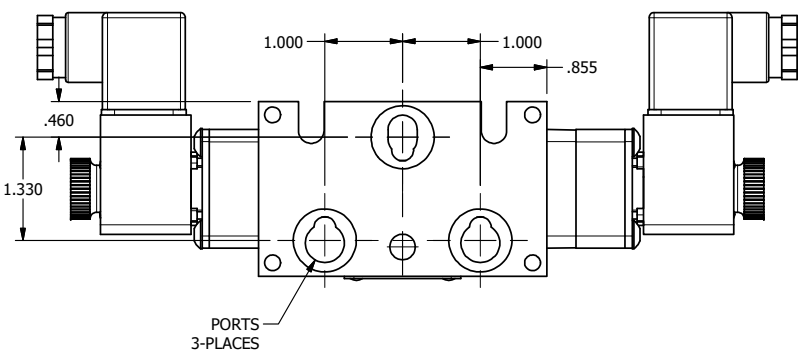
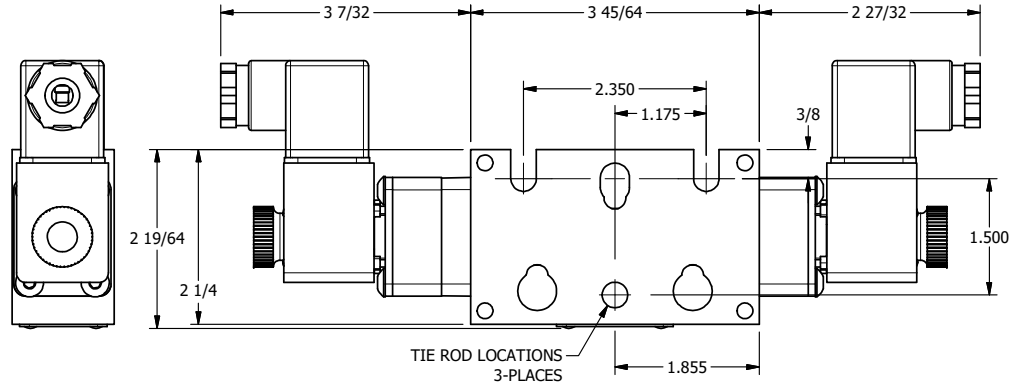


4 3 2 1



3/8" CORD GRIP DIN CAP INCLUDED
FORM A, ACC. TO EN 175301-803,
ISO 4400



4 3 2



TITLE: 3/8" STACK, DBL SOL, 3 POS,
SPR CTR, SOL SHFT, REGEN CTR SPL,
INTRINSICALLY SAFE, 24VDC, EXCLDR

DRAWING NO.:
DIM_EBSY3DAL

THE INFORMATION CONTAINED WITHIN THIS DOCUMENT IS PROPRIETARY TO AAA PRODUCTS AND MAY NOT BE DISCLOSED WITHOUT PRIOR WRITTEN CONSENT