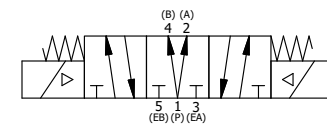
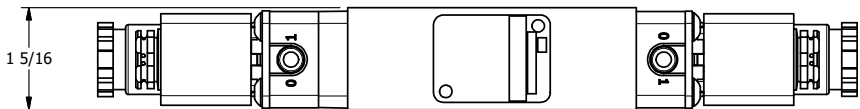
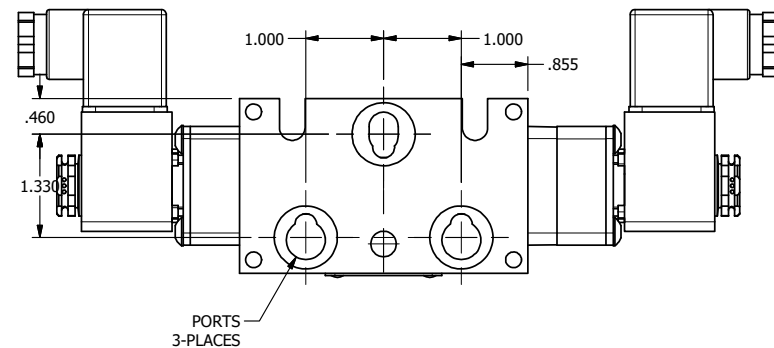
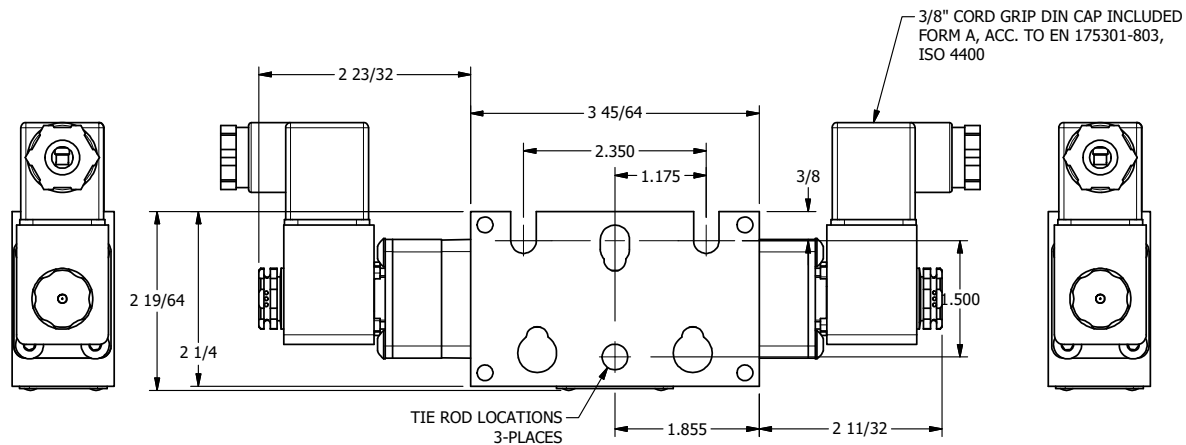
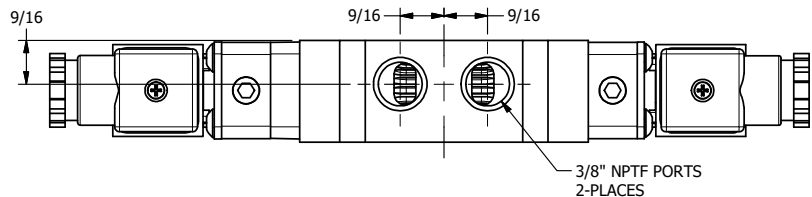


4

3

2

1



TITLE: 3/8" STACK, DBL SOL, 3 POS,  
SPR CTR, SOL SHFT, REGEN CTR SPL,  
INTR SAFE, 24VDC, SIDE VENT

DRAWING NO.:  
DIM\_EBSY3DAC

THE INFORMATION CONTAINED WITHIN THIS DOCUMENT IS PROPRIETARY TO AAA PRODUCTS AND MAY NOT BE DISCLOSED WITHOUT PRIOR WRITTEN CONSENT

4

3

2

