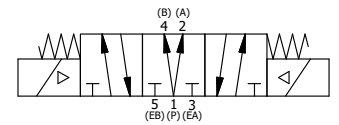
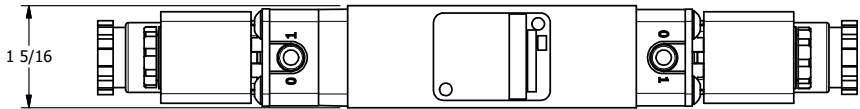
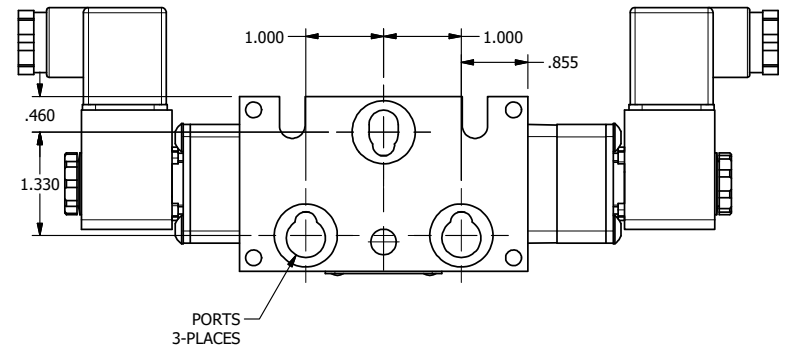
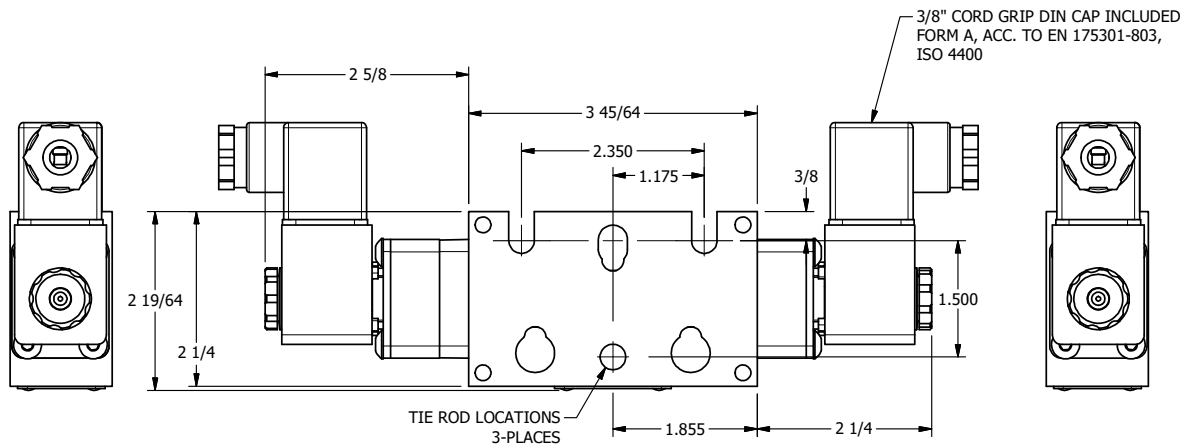
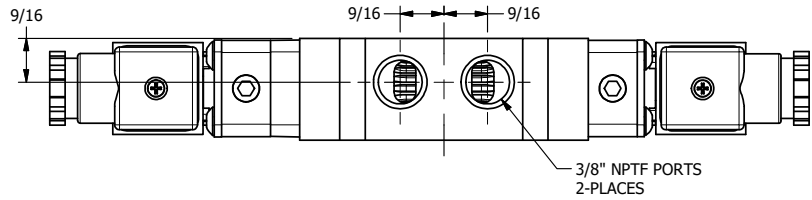


4 3 2 1



4 3 2



TITLE: 3/8" STACK, DBL SOL, 3 POS,
SPR CTR, SOL SHFT, REGEN CTR SPL,
INTRINSICALLY SAFE, 24VDC

DRAWING NO.:
DIM_EBSY3DA

THE INFORMATION CONTAINED WITHIN THIS DOCUMENT IS PROPRIETARY TO AAA PRODUCTS AND MAY NOT BE DISCLOSED WITHOUT PRIOR WRITTEN CONSENT