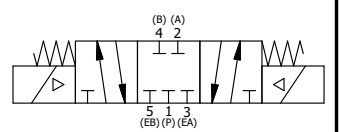
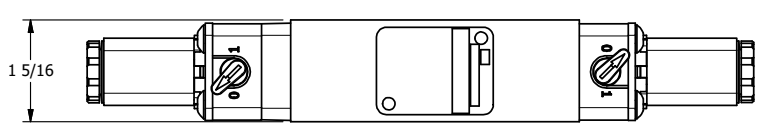
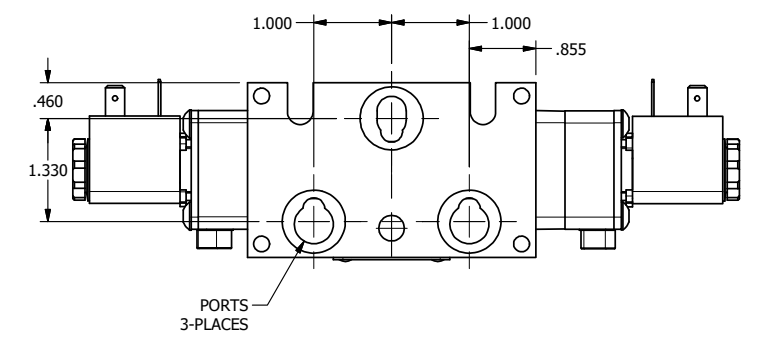
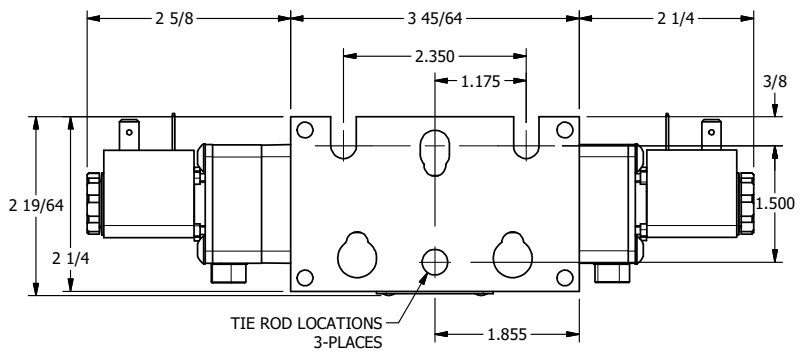
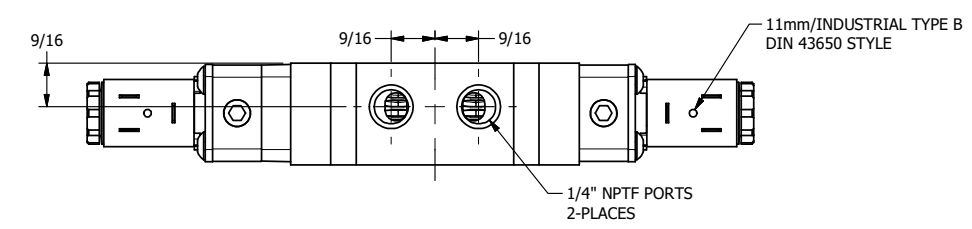


4 3 2 1



B

B

A

A

4 3 2



TITLE: 1/4" STACK, DBL SOL, 3 POS,
SPR CTR, SOL SHFT, CLSD CTR SPL,
LCKNG OVRD

DRAWING NO.:
DIM_EBSY20

THE INFORMATION CONTAINED WITHIN THIS DOCUMENT IS PROPRIETARY TO AAA PRODUCTS AND MAY NOT BE DISCLOSED WITHOUT PRIOR WRITTEN CONSENT