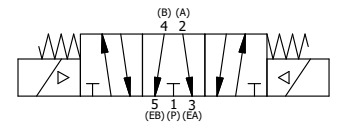
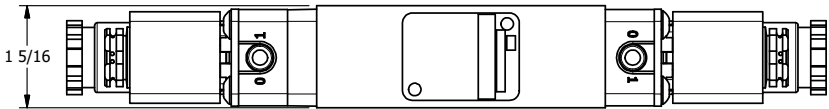
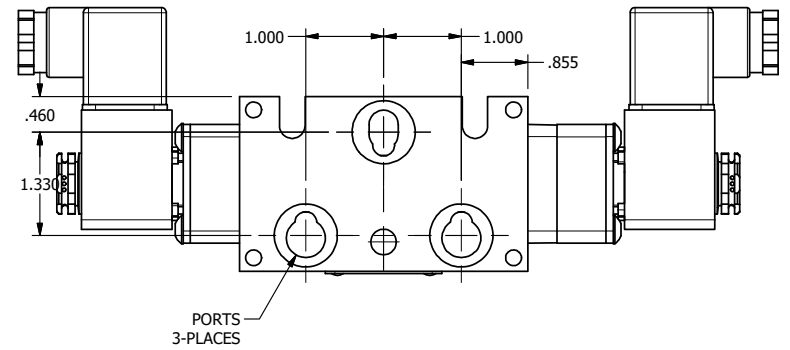
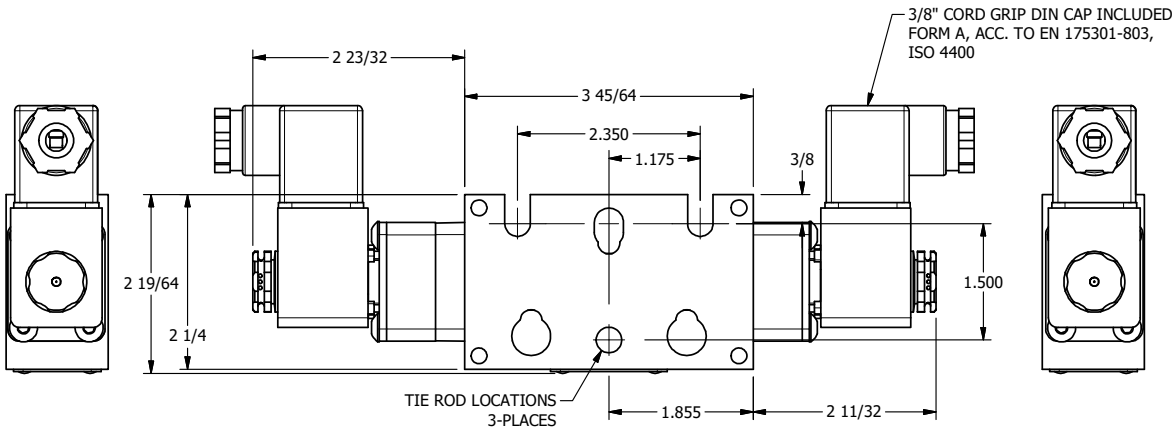
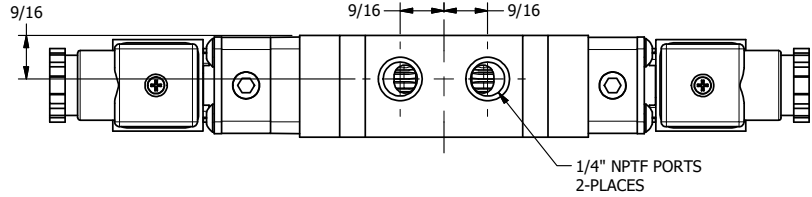


4 3 2 1



4 3 2



TITLE: 1/4" STACK, DBL SOL, 3 POS,
SPR CTR, SOL SHFT, FLOAT CTR SPL,
INTR SAFE, 24VDC, SIDE VENT

DRAWING NO.:
DIM_EBSY2GAC

THE INFORMATION CONTAINED WITHIN THIS DOCUMENT IS PROPRIETARY TO AAA PRODUCTS AND MAY NOT BE DISCLOSED WITHOUT PRIOR WRITTEN CONSENT