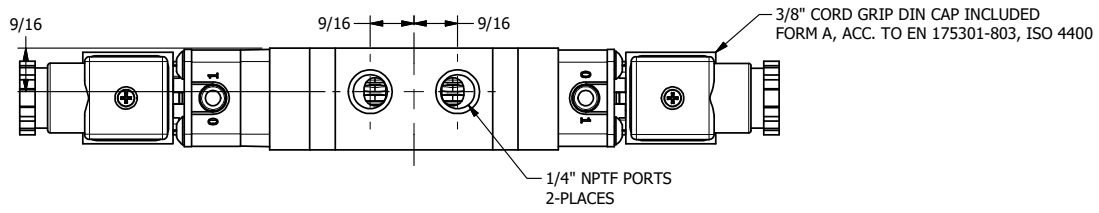
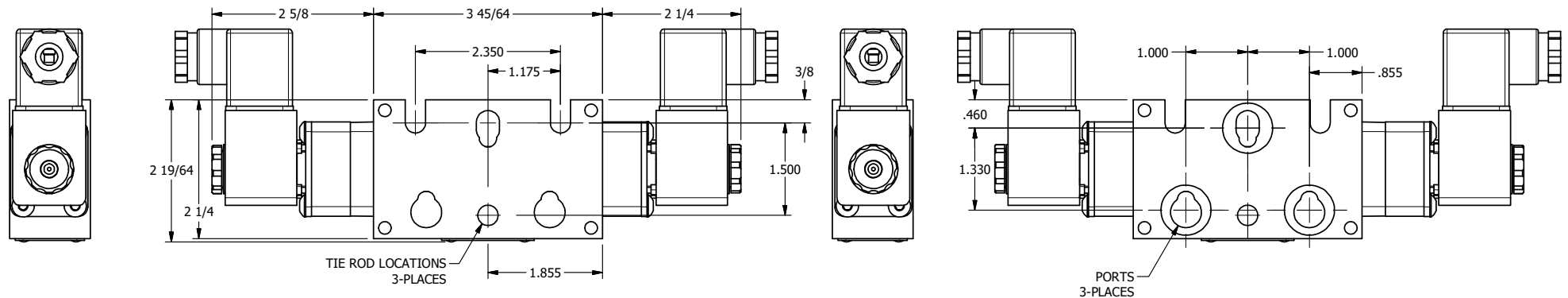


4 3 2 1



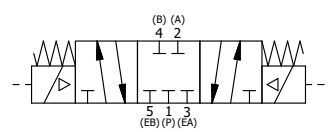
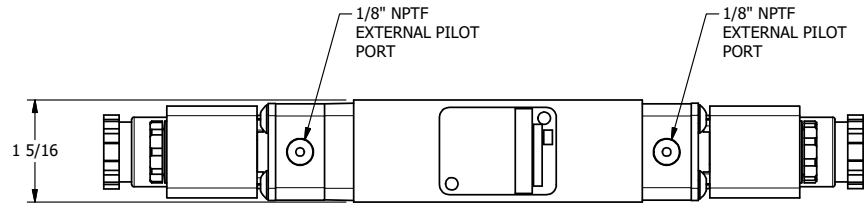
B

B



A

A



4 3 2 1



TITLE: 1/4" STACK, DBL SOL, 3 POS,
SPR CTR, SOL SHFT, CLSD CTR SPL,
INTR SAFE, EXT PILOT

DRAWING NO.:
DIM_EBSY2AZ

THE INFORMATION CONTAINED WITHIN THIS DOCUMENT IS PROPRIETARY TO AAA PRODUCTS AND MAY NOT BE DISCLOSED WITHOUT PRIOR WRITTEN CONSENT