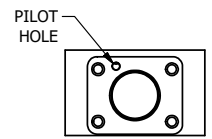
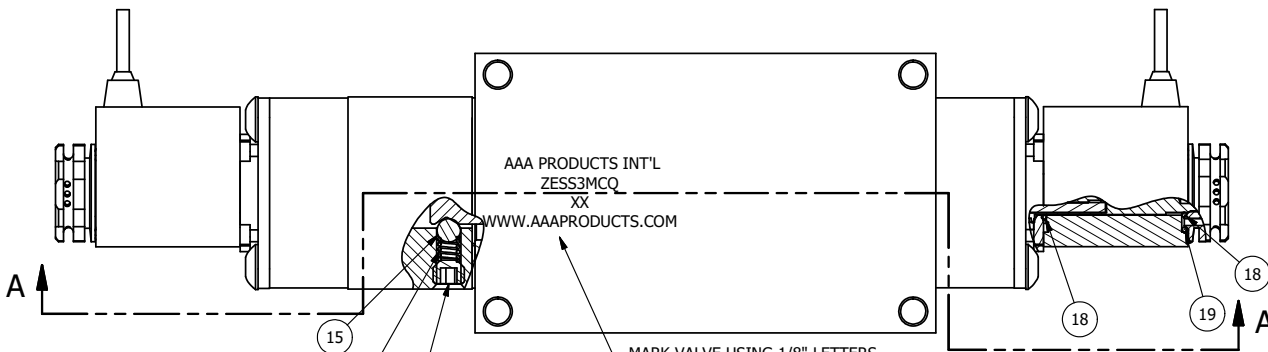


4

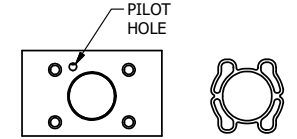
3

2

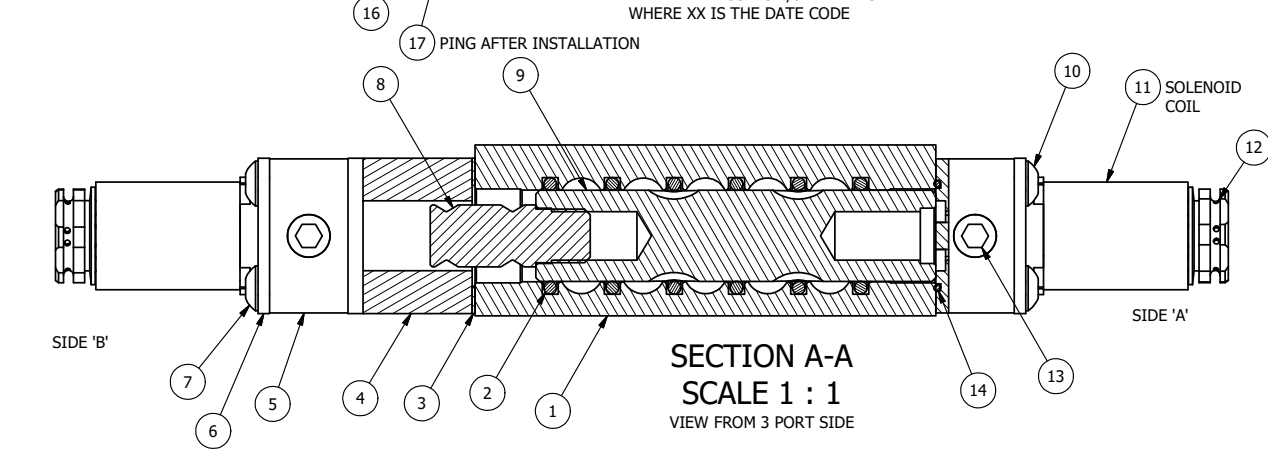
1



POSITION GASKET AND PEC3-18-Z ON END OF VALVE TO ALIGN PILOT HOLES (SIDE 'B' ONLY)

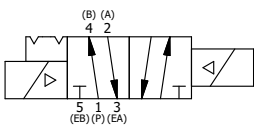


ALIGN PILOT AND SLOT IN ADAPTOR WITH GASKET IN BETWEEN, BOTH SIDES FOR EXTERNAL PILOT OPERATION - ROTATE ADAPTOR 180 DEGREES. REMOVE 1/8" NPTF PLUG AND SUPPLY 50-150 PSI TO 1/8" NPTF PILOT PORT IN ADAPTOR.



|     |     |            |  |
|-----|-----|------------|--|
| 19  | 2   | V-607      | O-RING, VITON, 75 DURO, 14MM X 1MM, IP67 NUT SEAL                            |
| 18  | 4   | V-606      | O-RING, VITON, 75 DURO, 8MM X 1MM, IP67 STEM SEAL                            |
| 17  | 1   | V-21-SS    | SCREW, 1/4-20 X 3/16, SOCKET SET, CUP POINT, 18-8 SS                         |
| 16  | 1   | DS3-1      | SPRING, DETENT, STAINLESS, 1/4" & 3/8" VALVE. LEE SPRING # LC 029B 0 S.      |
| 15  | 1   | V-14       | BALL, CHROME STEEL 3/16 DIA, GRADE 25, FOR DETENT                            |
| 14  | 2   | EMG3       | GASKET - END MOUNT SOLENOID, BUNA-N, 1/4" & 3/8" VALVES                      |
| 13  | 2   | V-19-SS    | PLUG, SOCKET PIPE 1/8"-27 NPT, 7/8 TAPER, PLAIN, FLUSH SEAL, STAINLESS STEEL |
| 12  | 2   | V-562      | NUT, SOLENOID, SIDE EXHAUST  |
| 11  | 2   | V-569-1    | SYSTEM 8 COIL 120 50/60.NASS # 0561 38.1 00/4984.                            |
| 10  | 4   | V-584-SS   | SCREW, 10-24 X 1, BUTTON HEAD SOCKET CAP, 18-8 OR 303 SS                     |
| 9   | 1   | S3R        | SPOOL - SOLID, STANDARD, 2 POS, CLSD CTR, 1/4" & 3/8" VALVE                  |
| 8   | 1   | PBS3-13-SS | STUD - POS. A & C. DETENT, STAINLESS STEEL, 1/4" & 3/8" VALVE                |
| 7   | 4   | V-585-SS   | SCREW, 10-24 X 2-1/8, SOCKET BUTTON HEAD, 18-8 STAINLESS                     |
| 6   | 2   | SEC3-7     | PLATE, RE-INFORCEMENT, SOLENOID, STAMPED, 304 STAINLESS                      |
| 5   | 2   | V-550-1    | SOL OPER, END MOUNT, NON-LOCKING O'RIDE                                      |
| 4   | 1   | PEC3-18-Z  | END CAP, SPACER, DETENT, SOLENOID, 360 BRASS, 1/4" & 3/8" VALVES             |
| 3   | 1   | BG3        | GASKET - END CAP, 1/4" & 3/8" VALVE  |
| 2   | 6   | V-39       | O-RING, VITON, STD BODY, 1/4" & 3/8" VALVES                                  |
| 1   | 1   | ZB3-1      | BODY - BRASS, UPPER PILOTS (BUTTON BLEEDER), 3/8" SIDE PORT VALVE            |
| FLG | QTY | PART NO    | DESCRIPTION  |

- NOTES:  
 1) ALWAYS GIVE VALVE MODEL AND PART NUMBER WHEN ORDERING PARTS.  
 2) FOR DIFFERENT VOLTAGES OTHER THAN 120/60, REPLACE SOLENOID COIL WITH COIL LISTED IN TABLE BELOW.  
 3) LUBRICATE DETENT BALL, SPRING AND STUD.



| COIL VOLTAGES   |              |
|-----------------|--------------|
| PART NO         | REPLACE COIL |
| ZESS3MCQ 12VDC  | V-569-2      |
| ZESS3MCQ 24VDC  | V-569-3      |
| ZESS3MCQ 240/60 | V-569-4      |

|   |                     |  |                 |
|---|---------------------|--|-----------------|
| LIMITS ON DIMENSIONS UNLESS OTHERWISE SPECIFIED   | 2-PL DECIMAL ± .01  | <b>AAA PRODUCTS INTERNATIONAL</b><br>7114 Harry Hines Blvd<br>Dallas, TX 75235 |                 |
|   | 3-PL DECIMAL ± .005 |  |                 |
|   | FRACTIONAL ± 1/64   |  |                 |
|   | ANGULAR ± 1/2°      |  |                 |
| DRAWN: RMckenna   | DATE: 6/21/2022     | CHECKED: KWaite  | DATE: 6/21/2022 |
| SCALE: 1 : 1  | SHEET: 1 OF 1       | RELEASED: HWomack  | DATE: 6/21/2022 |
| TITLE:<br>3/8" SIDE PORT, DBL SOL, 2 POS, DETENT, FLYING LEAD, 120/60, BR & SS, SIDE VENT |                     | PART NO.:<br>ZESS3MCQ  | REV.:           |

THE INFORMATION CONTAINED WITHIN THIS DOCUMENT IS PROPRIETARY TO AAA PRODUCTS AND MAY NOT BE DISCLOSED WITHOUT PRIOR WRITTEN CONSENT

4

3

2

1

P:\Engineering\product\Valves\Assembly\Standards\SS\3D\ZESS3MCQ.dwg