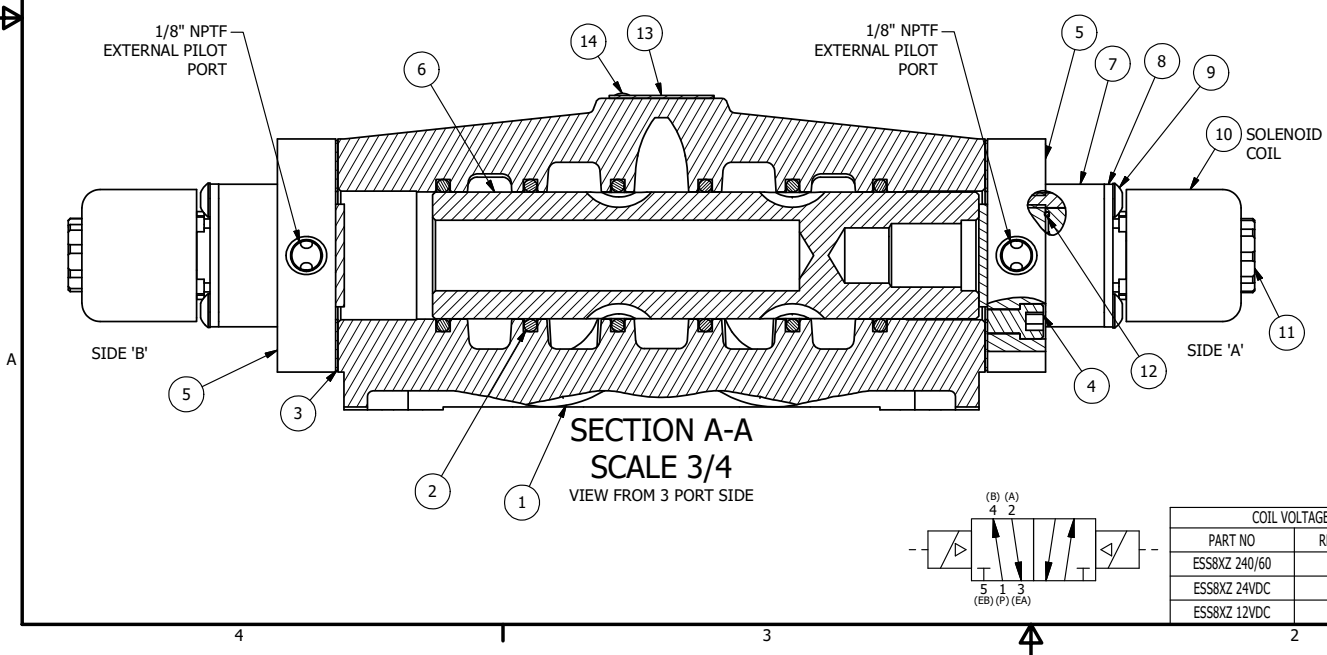


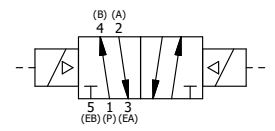
POSITION GASKET TO SEAL PILOT HOLE, BOTH SIDES.  
THE ROUND ALUMINUM ADAPTOR IS ROTATED 90 DEGREES.  
SUPPLY 50-160 PSI TO 1/8" NPTF PILOT PORT IN ADAPTOR.

NOTES:  
1) ALWAYS GIVE VALVE MODEL AND PART NUMBER WHEN ORDERING PARTS.  
2) FOR DIFFERENT VOLTAGES OTHER THAN 120/60, REPLACE SOLENOID COIL WITH COIL LISTED IN TABLE BELOW.



|     |     |          |  |
|-----|-----|----------|--|
| 14  | 2   | V-212    | SCREW, #2 X 3/16 DRIVE, TYPE U, OVAL HEAD, STAINLESS STEEL                       |
| 13  | 1   | AN-115   | NAMEPLATE, BLANK, FOR HE,KE,KD,RR,D,CR,PP,SR,SS VALVES                           |
| 12  | 2   | EMG3     | GASKET - END MOUNT SOLENOID, BUNA-N, 1/4" & 3/8" VALVES                          |
| 11  | 2   | V-556    | NUT, SOLENOID, TOP EXHAUST, KNURLED  |
| 10  | 2   | V-593-1  | COIL - 120VAC EXP PROOF, 1/2" NPTF STAINLESS CONNECTION, NASS #0568 05.1-00/6874 |
| 9   | 8   | V-584    | SCREW, 10-24 X 1, BUTTON HEAD SOCKET CAP WITH MICROSPHERE APPLIED TO THREADS.    |
| 8   | 2   | SEC3-7   | PLATE, RE-INFORCEMENT, SOLENOID, STAMPED, 304 STAINLESS                          |
| 7   | 2   | V-550-1  | SOL OPER, END MOUNT, NON-LOCKING O'RIDE  |
| 6   | 1   | S8       | SPOOL - STANDARD, 2 POS, CLSD CTR, 3/4" & 1" VALVE                               |
| 5   | 2   | SSA48-1E | ADAPTOR, END MNT SOLENOID, 1/2", 3/4" & 1" VALVE                                 |
| 4   | 8   | V-46     | SCREW, 1/4-20 X 3/4, SOCKET HEAD CAP   |
| 3   | 2   | ECG48    | GASKET - END CAP, 1/2", 3/4" & 1" VALVE  |
| 2   | 6   | V-30     | O-RING, BUNA-N, 70 DURO, AS-220, (REF 1-3/8 X 1-5/8 X 1/8), 3/4" & 1" VALVES     |
| 1   | 1   | B8-1     | BODY, 1" SIDE PORT, UPPER PILOTS, ANODIZED                                       |
| FLG | QTY | PART NO  | DESCRIPTION  |

| LIMITS ON DIMENSIONS<br>UNLESS OTHERWISE SPECIFIED  |              | 2-PL DECIMAL ± .01<br>3-PL DECIMAL ± .005<br>FRACTIONAL ± 1/64<br>ANGULAR ± 1/2° |  | <b>AAA PRODUCTS INTERNATIONAL</b><br>7114 Harry Hines Blvd<br>Dallas, TX 75235 |              |               |         |              |         |              |         |       |
|---|--------------|--|--|--|--------------|---------------|---------|--------------|---------|--------------|---------|-------|
| DRAWN: RMckenna   |              | DATE: 6/8/2016   |  |  |              |               |         |              |         |              |         |       |
| SCALE: 1 : 1  |              | SHEET: 1 OF 1  |  | CHECKED: KWaite    DATE: 6/8/2016<br>RELEASED: HWomack    DATE: 6/8/2016       |              |               |         |              |         |              |         |       |
| TITLE:<br><b>1" SIDE PORT, DBL SOL, 2 POS,<br/>         FRICTION POS, SOL RTRN,<br/>         EXPL PROOF, 120/60, EXT PILOT</b>  |              |  |  | PART NO.:<br><b>ESS8XZ</b>   |              |               |         |              |         |              |         |       |
| COIL VOLTAGES<br><table border="1"> <thead> <tr> <th>PART NO</th> <th>REPLACE COIL</th> </tr> </thead> <tbody> <tr> <td>ESS8XZ 240/60</td> <td>V-593-4</td> </tr> <tr> <td>ESS8XZ 24VDC</td> <td>V-593-3</td> </tr> <tr> <td>ESS8XZ 12VDC</td> <td>V-593-2</td> </tr> </tbody> </table> |              |  |  | PART NO  | REPLACE COIL | ESS8XZ 240/60 | V-593-4 | ESS8XZ 24VDC | V-593-3 | ESS8XZ 12VDC | V-593-2 | REV.: |
| PART NO   | REPLACE COIL |  |  |  |              |               |         |              |         |              |         |       |
| ESS8XZ 240/60   | V-593-4      |  |  |  |              |               |         |              |         |              |         |       |
| ESS8XZ 24VDC  | V-593-3      |  |  |  |              |               |         |              |         |              |         |       |
| ESS8XZ 12VDC  | V-593-2      |  |  |  |              |               |         |              |         |              |         |       |



THE INFORMATION CONTAINED WITHIN THIS DOCUMENT IS PROPRIETARY TO AAA PRODUCTS AND MAY NOT BE DISCLOSED WITHOUT PRIOR WRITTEN CONSENT

D:\Engineering\Product Valve Assembly\Standard\SS\DWG\IE-ESS8XZ.dwg