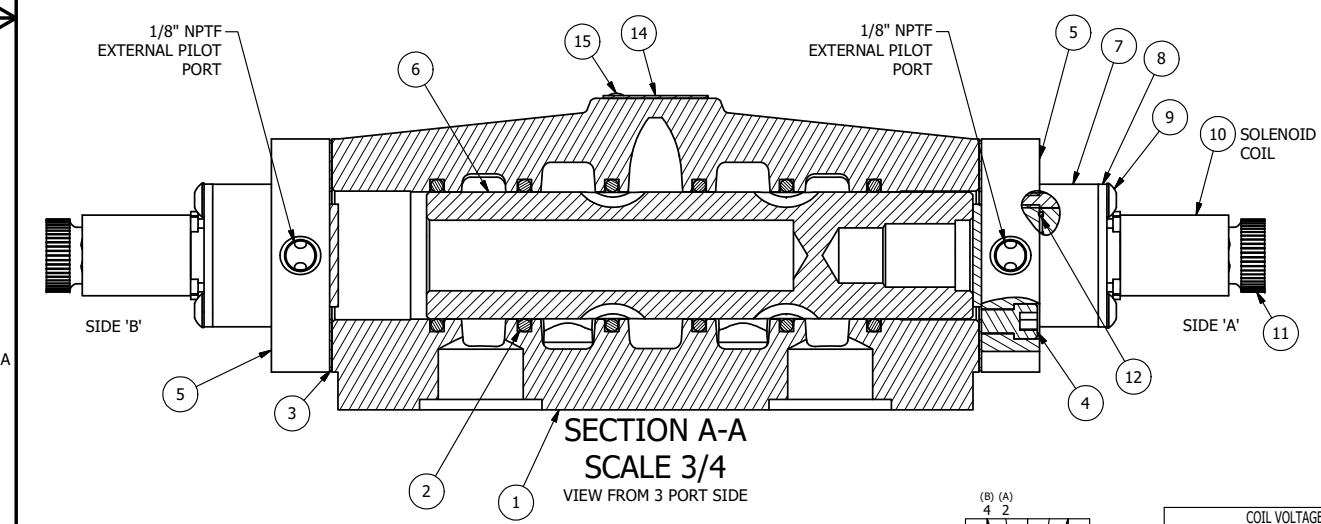
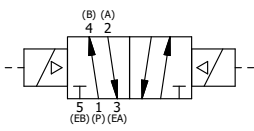


NOTES:
1) ALWAYS GIVE VALVE MODEL AND PART NUMBER WHEN ORDERING PARTS.
2) FOR DIFFERENT VOLTAGES OTHER THAN 120/60, REPLACE SOLENOID COIL WITH COIL LISTED IN TABLE BELOW.



15	2	V-212	SCREW, #2 X 3/16 DRIVE, TYPE U, OVAL HEAD, STAINLESS STEEL
14	1	AN-115	NAMEPLATE, BLANK, FOR HE,KE,KD,RR,D,CR,PP,SR,SS VALVES
12	2	EMG3	GASKET - END MOUNT SOLENOID, BUNA-N, 1/4" & 3/8" VALVES
11	2	V-567W	E SERIES SINTERED BRONZE MUFFLER, DUST EXCLUDER, V-613 LOCK WASHER
10	2	V-569-1	SYSTEM 8 COIL 120 50/60.NASS # 0561 38.1 00/4984.
9	8	V-584	SCREW, 10-24 X 1, BUTTON HEAD SOCKET CAP WITH MICROSPHERE APPLIED TO THREADS.
8	2	SEC3-7	PLATE, RE-INFORCEMENT, SOLENOID, STAMPED, 304 STAINLESS
7	2	V-550-1	SOL OPER, END MOUNT, NON-LOCKING O'RIDE
6	1	S8	SPOOL - STANDARD, 2 POS, CLSD CTR, 3/4" & 1" VALVE
5	2	SSA48-1E	ADAPTOR, END MNT SOLENOID, 1/2", 3/4" & 1" VALVE
4	8	V-46	SCREW, 1/4-20 X 3/4, SOCKET HEAD CAP
3	2	ECG48	GASKET - END CAP, 1/2", 3/4" & 1" VALVE
2	6	V-30	O-RING, BUNA-N, 70 DURO, AS-220, (REF 1-3/8 X 1-5/8 X 1/8), 3/4" & 1" VALVES
1	1	BP8-1	BODY, 1" SUBPLATE, UPPER PILOTS, ANODIZED
FLG	QTY	PART NO	DESCRIPTION

LIMITS ON DIMENSIONS UNLESS OTHERWISE SPECIFIED		2-PL DECIMAL ± .01 3-PL DECIMAL ± .005 FRACTIONAL ± 1/64 ANGULAR ± 1/2°	AAA PRODUCTS INTERNATIONAL 7114 Harry Hines Blvd Dallas, TX 75235								
DRAWN: RMckenna	DATE: 2/13/2019	CHECKED: KWaite		DATE: 2/13/2019							
SCALE: 1 : 1	SHEET: 1 OF 1	RELEASED: HWomack	DATE: 2/13/2019								
COIL VOLTAGES <table border="1"> <tr> <th>PART NO</th> <th>REPLACE COIL</th> </tr> <tr> <td>ESS8PMLZ 12VDC</td> <td>V-569-2</td> </tr> <tr> <td>ESS8PMLZ 24VDC</td> <td>V-569-3</td> </tr> <tr> <td>ESS8PMLZ 240/60</td> <td>V-569-4</td> </tr> </table>		PART NO	REPLACE COIL	ESS8PMLZ 12VDC	V-569-2	ESS8PMLZ 24VDC	V-569-3	ESS8PMLZ 240/60	V-569-4	TITLE: 1" SUBPLATE, DBL SOL, 2 POS, SOL RTRN, FLYING LEAD, 120/60, DUST EXCLDR, EXT PILOT	PART NO.: ESS8PMLZ
PART NO	REPLACE COIL										
ESS8PMLZ 12VDC	V-569-2										
ESS8PMLZ 24VDC	V-569-3										
ESS8PMLZ 240/60	V-569-4										



THE INFORMATION CONTAINED WITHIN THIS DOCUMENT IS PROPRIETARY TO AAA PRODUCTS AND MAY NOT BE DISCLOSED WITHOUT PRIOR WRITTEN CONSENT

D:\Engineering\Product Valve Assembly\Standard\SSA\DWG\ESS8PMLZ.dwg