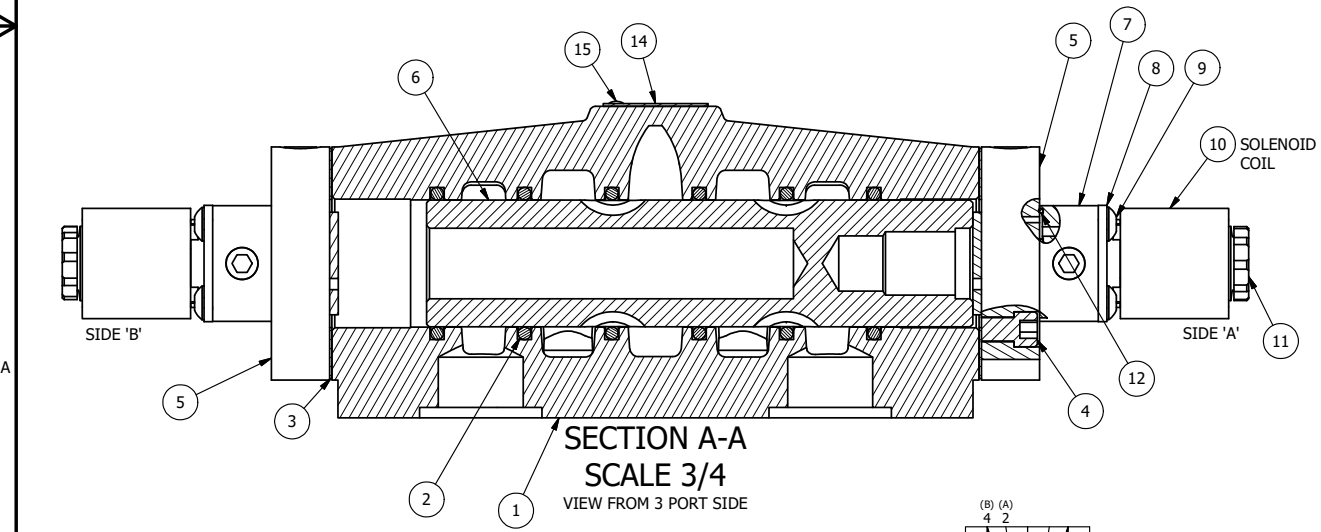


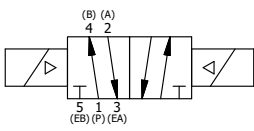
ALIGN PILOT AND HOLE IN GASKET, SIDE 'A' ONLY FOR EXTERNAL PILOT OPERATION - ROTATE THE ROUND ALUMINUM ADAPTOR 180 DEGREES. REMOVE 1/8" NPTF PLUG AND SUPPLY 50-150 PSI TO 1/8" NPTF PILOT PORT IN ADAPTOR.

- NOTES:  
 1) ALWAYS GIVE VALVE MODEL AND PART NUMBER WHEN ORDERING PARTS.  
 2) FOR DIFFERENT VOLTAGES OTHER THAN 120/60, REPLACE SOLENOID COIL WITH COIL LISTED IN TABLE BELOW.



SECTION A-A  
 SCALE 3/4  
 VIEW FROM 3 PORT SIDE

|     |     |          |   |
|-----|-----|----------|---|
| 15  | 2   | V-212    | SCREW, #2 X 3/16 DRIVE, TYPE U, OVAL HEAD, STAINLESS STEEL                    |
| 14  | 1   | AN-115   | NAMEPLATE, BLANK, FOR HE,KE,KD,RR,D,CR,PP,SR,SS VALVES                        |
| 13  | 2   | V-19     | PLUG, SOCKET PIPE 1/8" NPT (#601-3 PITTSBURG PLUG PART #.)                    |
| 12  | 2   | EMG3     | GASKET - END MOUNT SOLENOID, BUNA-N, 1/4" & 3/8" VALVES                       |
| 11  | 2   | V-556    | NUT, SOLENOID, TOP EXHAUST, KNURLED   |
| 10  | 2   | V-603-1  | COIL HI-TEMP. 8-30T 120/60. NASS # 0558 55.1-00/7121.                         |
| 9   | 8   | V-584    | SCREW, 10-24 X 1, BUTTON HEAD SOCKET CAP WITH MICROSPHERE APPLIED TO THREADS. |
| 8   | 2   | SEC3-7   | PLATE, RE-INFORCEMENT, SOLENOID, STAMPED, 304 STAINLESS                       |
| 7   | 2   | V-599-1  | SOL OPER, END MOUNT, LOCKING O'RIDE   |
| 6   | 1   | S8       | SPOOL - STANDARD, 2 POS, CLSD CTR, 3/4" & 1" VALVE                            |
| 5   | 2   | SSA48-1E | ADAPTOR, END MNT SOLENOID, 1/2", 3/4" & 1" VALVE                              |
| 4   | 8   | V-46     | SCREW, 1/4-20 X 3/4, SOCKET HEAD CAP  |
| 3   | 2   | ECG48    | GASKET - END CAP, 1/2", 3/4" & 1" VALVE                                       |
| 2   | 6   | V-30     | O-RING, BUNA-N, 70 DURO, AS-220, (REF 1-3/8 X 1-5/8 X 1/8), 3/4" & 1" VALVES  |
| 1   | 1   | BP8-1    | BODY, 1" SUBPLATE, UPPER PILOTS, ANODIZED                                     |
| FLG | QTY | PART NO  | DESCRIPTION   |



| COIL VOLTAGES |              |
|---------------|--------------|
| PART NO       | REPLACE COIL |
| ESS8PHO 12VDC | V-603-2      |

|   |                 |  |                   |  |
|---|-----------------|--|-------------------|--|
| LIMITS ON DIMENSIONS UNLESS OTHERWISE SPECIFIED   |                 | 2-PL DECIMAL ± .01<br>3-PL DECIMAL ± .005<br>FRACTIONAL ± 1/64<br>ANGULAR ± 1/2° |                   | <b>AAA PRODUCTS INTERNATIONAL</b><br>7114 Harry Hines Blvd<br>Dallas, TX 75235 |
| DRAWN: RMckenna   | DATE: 12/8/2015 | CHECKED: KWaite  | DATE: 12/8/2015   |  |
| SCALE: 1 : 1  | SHEET: 1 OF 1   | RELEASED: HWomack  | DATE: 12/8/2015   |  |
| TITLE: 1" SUBPLATE, DBL SOL, 2 POS, FRICTION POS, SOL RTRN, HIGH TEMP, 120/60, LCKNG OVRD |                 |  | PART NO.: ESS8PHO | REV.:  |

THE INFORMATION CONTAINED WITHIN THIS DOCUMENT IS PROPRIETARY TO AAA PRODUCTS AND MAY NOT BE DISCLOSED WITHOUT PRIOR WRITTEN CONSENT

D:\Engineering\Product Valve Assembly\Standard\SS\DWG\ESS8PHO.dwg