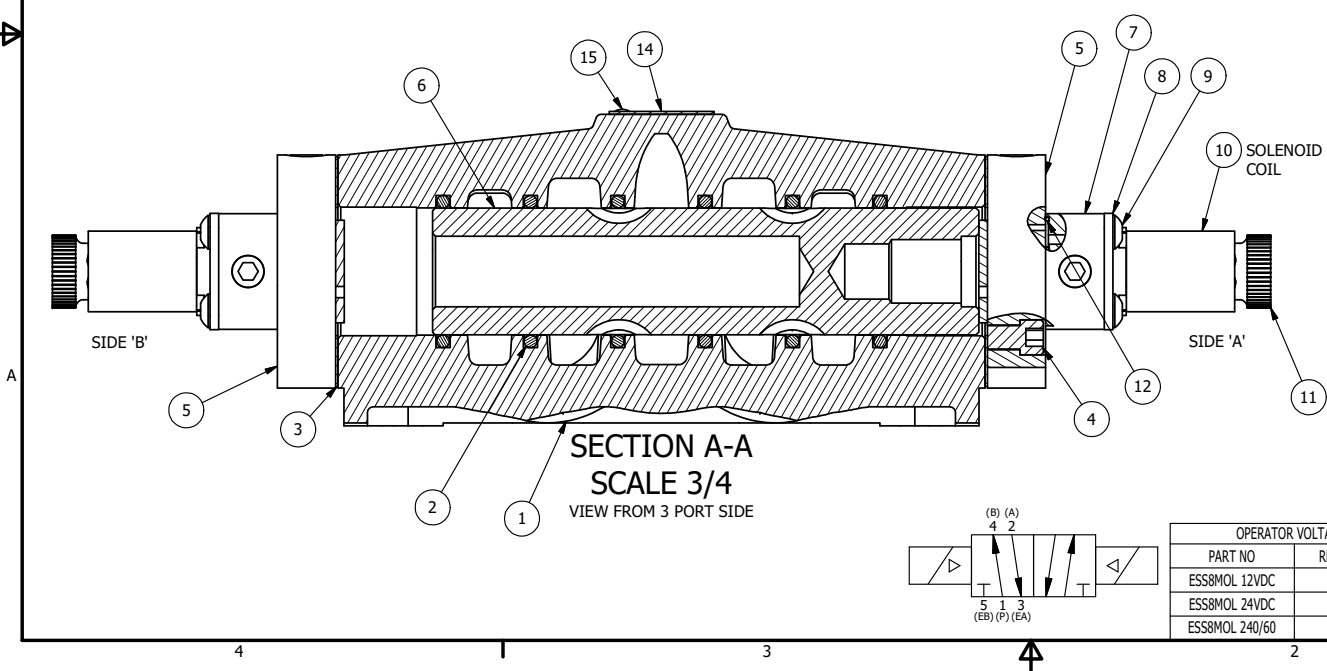


ALIGN PILOT AND HOLE IN GASKET, SIDE 'A' ONLY FOR EXTERNAL PILOT OPERATION - ROTATE THE ROUND ALUMINUM ADAPTOR 180 DEGREES. REMOVE 1/8" NPTF PLUG AND SUPPLY 50-150 PSI TO 1/8" NPTF PILOT PORT IN ADAPTOR.

- NOTES:  
 1) ALWAYS GIVE VALVE MODEL AND PART NUMBER WHEN ORDERING PARTS.  
 2) FOR DIFFERENT VOLTAGES OTHER THAN 120/60, REPLACE SOLENOID COIL WITH COIL LISTED IN TABLE BELOW.



|     |     |          |   |
|-----|-----|----------|---|
| 15  | 2   | V-212    | SCREW, #2 X 3/16 DRIVE, TYPE U, OVAL HEAD, STAINLESS STEEL                    |
| 14  | 1   | AN-115   | NAMEPLATE, BLANK, FOR HE,KE,KD,RR,D,CR,PP,SR,SS VALVES                        |
| 13  | 2   | V-19     | PLUG, SOCKET PIPE 1/8" NPT (#601-3 PITTSBURG PLUG PART #.)                    |
| 12  | 2   | EMG3     | GASKET - END MOUNT SOLENOID, BUNA-N, 1/4" & 3/8" VALVES                       |
| 11  | 2   | V-567W   | E SERIES SINTERED BRONZE MUFFLER, DUST EXCLUDER, V-613 LOCK WASHER            |
| 10  | 2   | V-569-1  | SYSTEM 8 COIL 120 50/60.NASS # 0561 38.1 00/4984.                             |
| 9   | 8   | V-584    | SCREW, 10-24 X 1, BUTTON HEAD SOCKET CAP WITH MICROSPHERE APPLIED TO THREADS. |
| 8   | 2   | SEC3-7   | PLATE, RE-INFORCEMENT, SOLENOID, STAMPED, 304 STAINLESS                       |
| 7   | 2   | V-599-1  | SOL OPER, END MOUNT, LOCKING O'RIDE   |
| 6   | 1   | S8       | SPOOL - STANDARD, 2 POS, CLSD CTR, 3/4" & 1" VALVE                            |
| 5   | 2   | SSA48-1E | ADAPTOR, END MNT SOLENOID, 1/2", 3/4" & 1" VALVE                              |
| 4   | 8   | V-46     | SCREW, 1/4-20 X 3/4, SOCKET HEAD CAP  |
| 3   | 2   | ECG48    | GASKET - END CAP, 1/2", 3/4" & 1" VALVE                                       |
| 2   | 6   | V-30     | O-RING, BUNA-N, 70 DURO, AS-220, (REF 1-3/8 X 1-5/8 X 1/8), 3/4" & 1" VALVES  |
| 1   | 1   | B8-1     | BODY, 1" SIDE PORT, UPPER PILOTS, ANODIZED                                    |
| FLG | QTY | PART NO  | DESCRIPTION   |

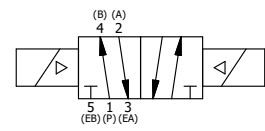
LIMITS ON DIMENSIONS UNLESS OTHERWISE SPECIFIED  
 2-PL DECIMAL ± .01  
 3-PL DECIMAL ± .005  
 FRACTIONAL ± 1/64  
 ANGULAR ± 1/2°

**AAA PRODUCTS INTERNATIONAL**  
 PRODUCTS INTERNATIONAL  
 7114 Harry Hines Blvd  
 Dallas, TX 75235

DRAWN: RMckenna DATE: 2/16/2018  
 SCALE: 1 : 1 SHEET: 1 OF 1

CHECKED: KWaite DATE: 2/16/2018  
 RELEASED: HWomack DATE: 2/16/2018

| OPERATOR VOLTAGES |              |
|-------------------|--------------|
| PART NO           | REPLACE COIL |
| ESS8MOL 12VDC     | V-569-2      |
| ESS8MOL 24VDC     | V-569-3      |
| ESS8MOL 240/60    | V-569-4      |



TITLE:  
**1" SIDE PORT, DBL SOL, 2 POS, SOL RTRN, FLYING LEAD, 120/60, LCKNG OVRD, DUST EXCLDR**

PART NO.: **ESS8MOL** REV.:

THE INFORMATION CONTAINED WITHIN THIS DOCUMENT IS PROPRIETARY TO AAA PRODUCTS AND MAY NOT BE DISCLOSED WITHOUT PRIOR WRITTEN CONSENT