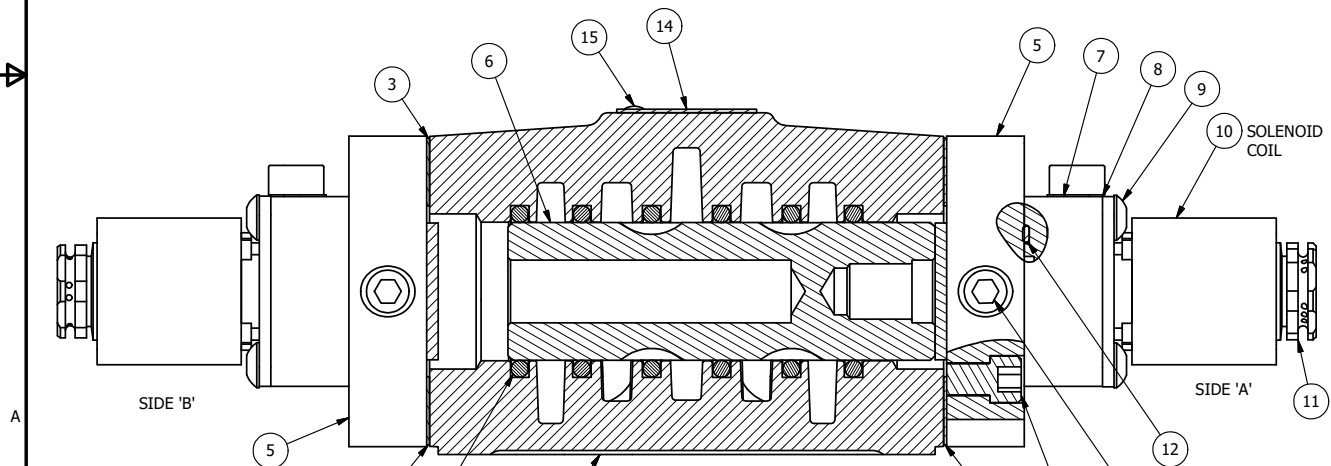


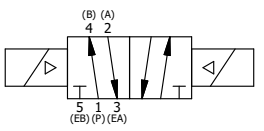
ALIGN PILOT AND HOLE IN GASKET BOTH SIDES FOR EXTERNAL PILOT OPERATION - ROTATE THE ROUND ALUMINUM ADAPTOR 180 DEGREES. REMOVE 1/8" NPTF PLUG AND SUPPLY 50-150 PSI TO 1/8" NPTF PILOT PORT IN ADAPTOR.

NOTES:
 1) ALWAYS GIVE VALVE MODEL AND PART NUMBER WHEN ORDERING PARTS.
 2) FOR DIFFERENT VOLTAGES OTHER THAN 120/60, REPLACE SOLENOID COIL WITH COIL LISTED IN TABLE BELOW.



| | | | |
|-----|-----|----------|--|
| 15 | 2 | V-212 | SCREW, #2 X 3/16 DRIVE, TYPE U, OVAL HEAD, STAINLESS STEEL |
| 14 | 1 | AN-115 | NAMEPLATE, BLANK, FOR HE,KE,KD,RR,D,CR,PP,SR,SS VALVES |
| 13 | 2 | V-19 | PLUG, SOCKET PIPE 1/8" NPT (#601-3 PITTSBURG PLUG PART #.) |
| 12 | 2 | EMG3 | GASKET - END MOUNT SOLENOID, BUNA-N, 1/4" & 3/8" VALVES |
| 11 | 2 | V-562 | NUT, SOLENOID, SIDE EXHAUST |
| 10 | 2 | V-603-1 | COIL HI-TEMP. 8-30T 120/60. NASS # 0558 55.1-00/7121. |
| 9 | 8 | V-584 | SCREW, 10-24 X 1, BUTTON HEAD SOCKET CAP WITH MICROSPHERE APPLIED TO THREADS. |
| 8 | 2 | SEC3-7 | PLATE, RE-INFORCEMENT, SOLENOID, STAMPED, 304 STAINLESS |
| 7 | 2 | V-599-1 | SOL OPER, END MOUNT, LOCKING O'RIDE |
| 6 | 1 | S4 | SPOOL - STANDARD, 2 POS, CLSD CTR, 1/2" VALVE |
| 5 | 2 | SSA48-1E | ADAPTOR, END MNT SOLENOID, 1/2", 3/4" & 1" VALVE |
| 4 | 8 | V-46 | SCREW, 1/4-20 X 3/4, SOCKET HEAD CAP |
| 3 | 2 | ECG48 | GASKET - END CAP, 1/2", 3/4" & 1" VALVE |
| 2 | 6 | V-6 | O-RING, BUNA-N, 70 DURO, AS-216, (REF 1-1/8 X 1-3/8 X 1/8), 1/2" VALVES, 1" SUBPLATE |
| 1 | 1 | B4-1 | BODY, 1/2" SIDE PORT, UPPER PILOTS, ANODIZED |
| FLG | QTY | PART NO | DESCRIPTION |

SECTION A-A
 SCALE 1 : 1
 VIEW FROM 3 PORT SIDE



| COIL VOLTAGES | |
|---------------|--------------|
| PART NO | REPLACE COIL |
| ESS4HOC 12VDC | V-603-2 |

| | | | | |
|--|----------------|--|----------------------|--|
| LIMITS ON DIMENSIONS UNLESS OTHERWISE SPECIFIED | | 2-PL DECIMAL ± .01 3-PL DECIMAL ± .005 FRACTIONAL ± 1/64 ANGULAR ± 1/2° | | AAA PRODUCTS INTERNATIONAL 7114 Harry Hines Blvd Dallas, TX 75235 |
| DRAWN: RMckenna | DATE: 4/5/2017 | CHECKED: KWaite | DATE: 4/5/2017 | |
| SCALE: 1 : 1 | SHEET: 1 OF 1 | RELEASED: HWomack | DATE: 4/5/2017 | |
| TITLE: 1/2" SIDE PORT, DBL SOL, 2 POS., FRICTION POS, SOL RTRN, 120/60, H-TMP COIL, LCKNG OVRD, SIDE VENT | | | PART NO.: ESS4HOC | REV.: |

THE INFORMATION CONTAINED WITHIN THIS DOCUMENT IS PROPRIETARY TO AAA PRODUCTS AND MAY NOT BE DISCLOSED WITHOUT PRIOR WRITTEN CONSENT