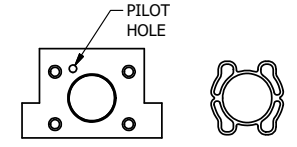
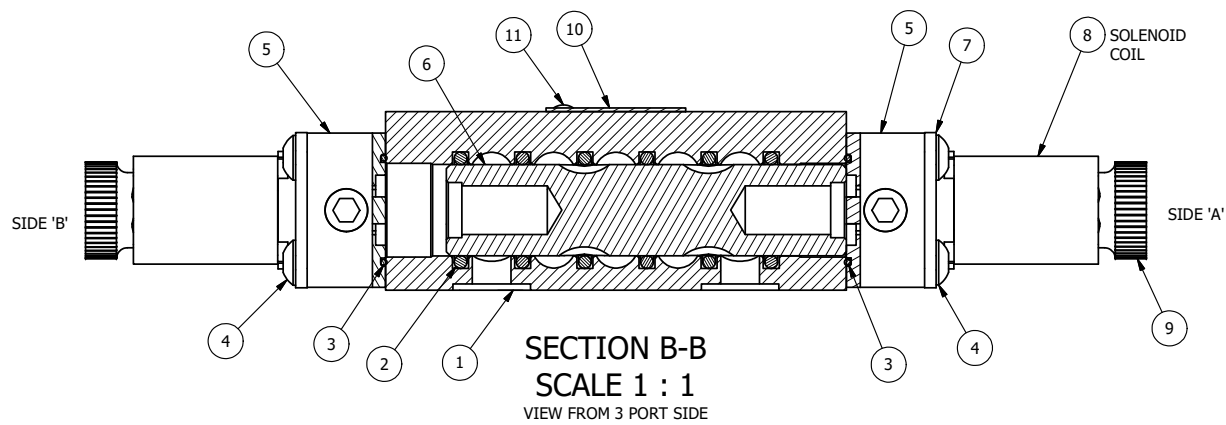
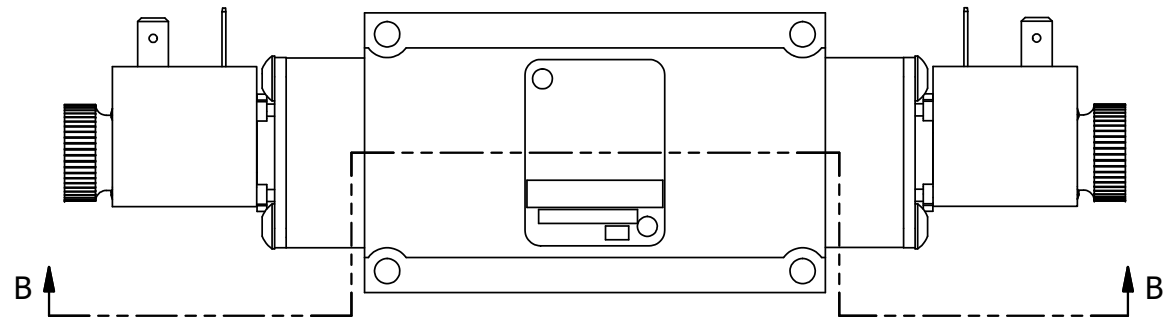


4 | 3 | 2 | 1

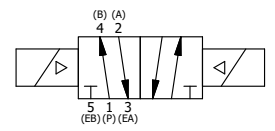


ALIGN PILOT AND SLOT IN ADAPTOR WITH GASKET IN BETWEEN, BOTH SIDES FOR EXTERNAL PILOT OPERATION - ROTATE ADAPTOR 180 DEGREES. REMOVE 1/8" NPTF PLUG AND SUPPLY 50-150 PSI TO 1/8" NPTF PILOT PORT IN ADAPTOR.



|     |     |         |   |
|-----|-----|---------|---|
| 12  | 1   | SPK-3   | KIT - SUBPLATE MOUNTING, 3/8" SUBPLATE VALVES                                 |
| 11  | 2   | V-212   | SCREW, #2 X 3/16 DRIVE, TYPE U, OVAL HEAD, STAINLESS STEEL                    |
| 10  | 1   | AN-115  | NAMEPLATE, BLANK, FOR HE,KE,KD,RR,D,CR,PP,SR,SS VALVES                        |
| 9   | 2   | V-567W  | E SERIES SINTERED BRONZE MUFFLER, DUST EXCLUDER, V-613 LOCK WASHER            |
| 8   | 2   | V-551-1 | THERMOPLASTIC ENCAPSULATED COIL 120V 50/60HZ, NASS P/N # 108-030-0455         |
| 7   | 2   | SEC3-7  | PLATE, RE-INFORCEMENT, SOLENOID, STAMPED, 304 STAINLESS                       |
| 6   | 1   | S3R     | SPOOL - SOLID, STANDARD, 2 POS, CLSD CTR, 1/4" & 3/8" VALVE                   |
| 5   | 2   | V-550-1 | SOL OPER, END MOUNT, NON-LOCKING O'RIDE                                       |
| 4   | 8   | V-584   | SCREW, 10-24 X 1, BUTTON HEAD SOCKET CAP WITH MICROSPHERE APPLIED TO THREADS. |
| 3   | 2   | EMG3    | GASKET - END MOUNT SOLENOID, BUNA-N, 1/4" & 3/8" VALVES                       |
| 2   | 6   | V-39    | O-RING, VITON, STD BODY, 1/4" & 3/8" VALVES                                   |
| 1   | 1   | BP3-1E  | BODY - SOLID, BUTTON BLEEDER, ANODIZED, 3/8" SUBPLATE VALVE                   |
| FLG | QTY | PART NO | DESCRIPTION   |

NOTES:  
 1) ALWAYS GIVE VALVE MODEL AND PART NUMBER WHEN ORDERING PARTS.  
 2) FOR DIFFERENT VOLTAGES OTHER THAN 120/60, REPLACE SOLENOID COIL WITH COIL LISTED IN TABLE BELOW.



| COIL VOLTAGES |              |
|---------------|--------------|
| PART NO       | REPLACE COIL |
| ESS3PL 240/60 | V-551-4      |
| ESS3PL 24VDC  | V-551-3      |
| ESS3PL 12VDC  | V-551-2      |

|   |                 |  |                            |  |
|---|-----------------|--|----------------------------|--|
| LIMITS ON DIMENSIONS UNLESS OTHERWISE SPECIFIED   |                 | 2-PL DECIMAL ± .01<br>3-PL DECIMAL ± .005<br>FRACTIONAL ± 1/64<br>ANGULAR ± 1/2° |                            | <b>AAA PRODUCTS INTERNATIONAL</b><br>7114 Harry Hines Blvd<br>Dallas, TX 75235 |
| DRAWN: RMckenna   | DATE: 9/29/2015 | CHECKED: KWaite  | DATE: 9/29/2015            |  |
| SCALE: 1 : 1  | SHEET: 1 OF 1   | RELEASED: HWomack  | DATE: 9/29/2015            |  |
| TITLE:<br><b>3/8" SUBPLATE, DBL SOL, 2 POS, FRICTION POS, SOL RTRN, 120/60, DUST EXCLDR</b> |                 |  | PART NO.:<br><b>ESS3PL</b> | REV.:  |

THE INFORMATION CONTAINED WITHIN THIS DOCUMENT IS PROPRIETARY TO AAA PRODUCTS AND MAY NOT BE DISCLOSED WITHOUT PRIOR WRITTEN CONSENT

4 | 3 | 2 | 1

D:\Engineering\Product Valve Assembly\Standard\DWG\ESS3PL.dwg