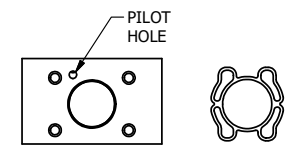
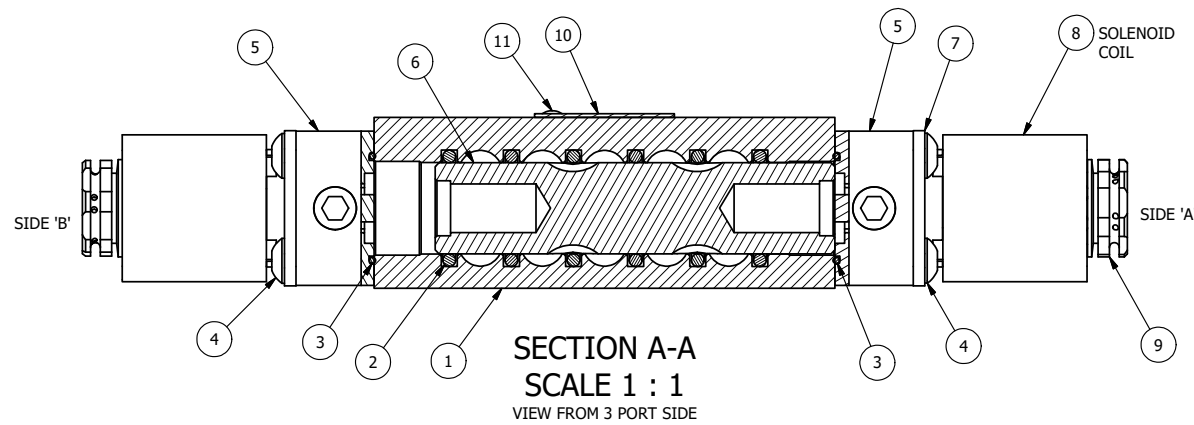
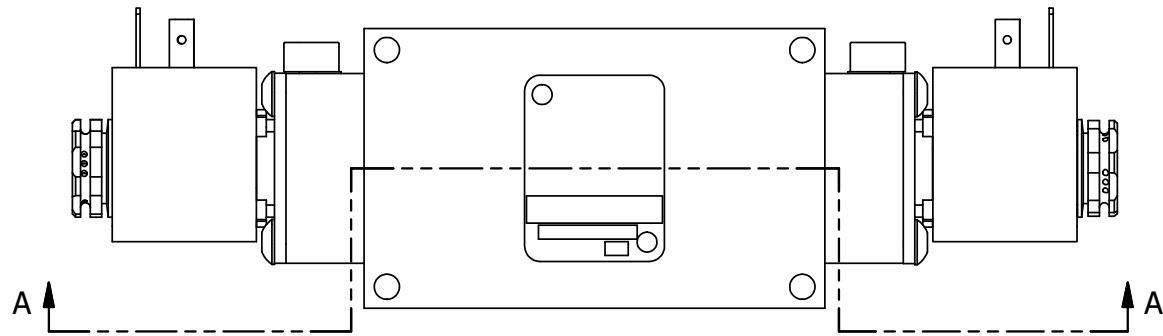


4 | 3 | 2 | 1



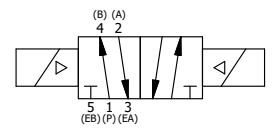
ALIGN PILOT AND SLOT IN ADAPTOR WITH GASKET IN BETWEEN, BOTH SIDES FOR EXTERNAL PILOT OPERATION - ROTATE ADAPTOR 180 DEGREES. REMOVE 1/8" NPTF PLUG AND SUPPLY 50-150 PSI TO 1/8" NPTF PILOT PORT IN ADAPTOR.



NOTES:
 1) ALWAYS GIVE VALVE MODEL AND PART NUMBER WHEN ORDERING PARTS.
 2) FOR DIFFERENT VOLTAGES OTHER THAN 120/60, REPLACE SOLENOID COIL WITH COIL LISTED IN TABLE BELOW.

11	2	V-212	SCREW, #2 X 3/16 DRIVE, TYPE U, OVAL HEAD, STAINLESS STEEL
10	1	AN-115	NAMEPLATE, BLANK, FOR HE,KE,KD,RR,D,CR,PP,SR,SS VALVES
9	2	V-562	NUT, SOLENOID, SIDE EXHAUST
8	2	V-603-1	COIL HI-TEMP. 8-30T 120/60. NASS # 0558 55.1-00/7121.
7	2	SEC3-7	PLATE, RE-INFORCEMENT, SOLENOID, STAMPED, 304 STAINLESS
6	1	S3R	SPOOL - SOLID, STANDARD, 2 POS, CLSD CTR, 1/4" & 3/8" VALVE
5	2	V-599-1	SOL OPER, END MOUNT, LOCKING O'RIDE
4	8	V-584	SCREW, 10-24 X 1, BUTTON HEAD SOCKET CAP WITH MICROSPHERE APPLIED TO THREADS.
3	2	EMG3	GASKET - END MOUNT SOLENOID, BUNA-N, 1/4" & 3/8" VALVES
2	6	V-39	O-RING, VITON, STD BODY, 1/4" & 3/8" VALVES
1	1	B3-1E	BODY - SOLID, BUTTON BLEEDER, ANODIZED, 3/8" SIDE PORT VALVE
FLG	QTY	PART NO	DESCRIPTION

LIMITS ON DIMENSIONS UNLESS OTHERWISE SPECIFIED		2-PL DECIMAL ± .01 3-PL DECIMAL ± .005 FRACTIONAL ± 1/64 ANGULAR ± 1/2°		AAA PRODUCTS INTERNATIONAL 7114 Harry Hines Blvd Dallas, TX 75235				
DRAWN: RMckenna		DATE: 4/5/2017						
SCALE: 1:1		SHEET: 1 OF 1		CHECKED: KWaite DATE: 4/5/2017 RELEASED: HWomack DATE: 4/5/2017				
TITLE: 3/8" SIDE PORT, DBL SOL, 2 POS, FRICTION POS, SOL RTRN, 120/60, H-TMP COIL, LCKNG OVRD, SIDE VENT				PART NO.: ESS3HOC				
COIL VOLTAGES <table border="1"> <tr> <th>PART NO</th> <th>REPLACE COIL</th> </tr> <tr> <td>ESS3HOC 12VDC</td> <td>V-603-2</td> </tr> </table>				PART NO	REPLACE COIL	ESS3HOC 12VDC	V-603-2	REV.:
PART NO	REPLACE COIL							
ESS3HOC 12VDC	V-603-2							



4 | 3 | 2 | 1

THE INFORMATION CONTAINED WITHIN THIS DOCUMENT IS PROPRIETARY TO AAA PRODUCTS AND MAY NOT BE DISCLOSED WITHOUT PRIOR WRITTEN CONSENT