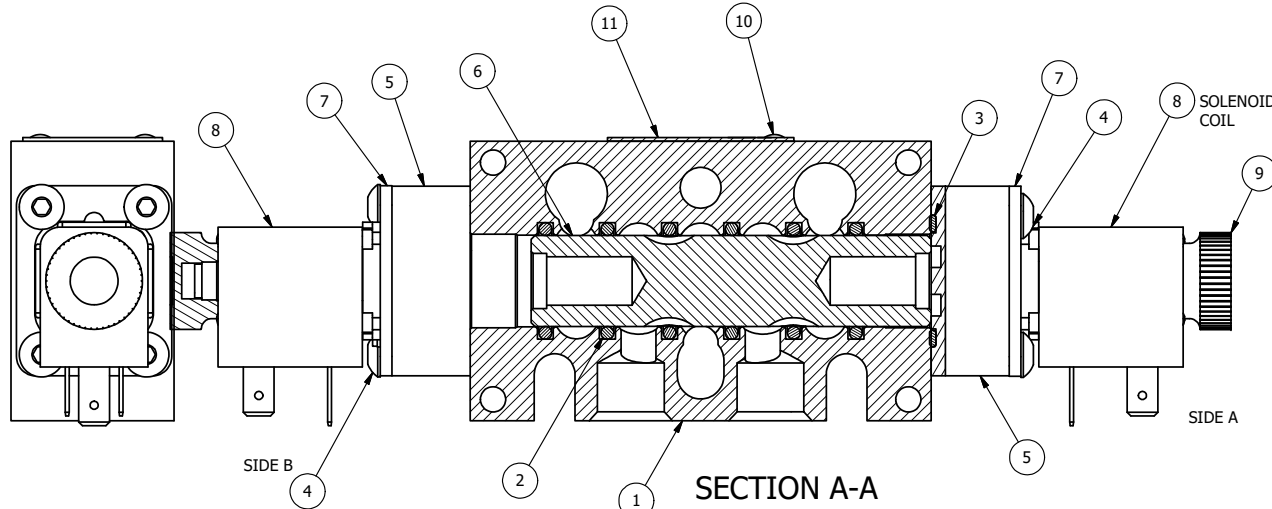


ALIGN PILOT AND SLOT IN ADAPTOR WITH GASKET IN BETWEEN, BOTH SIDES (ADAPTOR SHOULD BE INSTALLED AS SHOWN) SUPPLY 50-150 PSI TO 1/8" NPTF PILOT PORT IN ADAPTOR.

NOTES:

- 1) ALWAYS GIVE VALVE MODEL AND PART NUMBER WHEN ORDERING PARTS.
- 2) FOR DIFFERENT VOLTAGES OTHER THAN 120/60, REPLACE SOLENOID COIL WITH COIL LISTED IN TABLE BELOW.



SECTION A-A  
SCALE 1 : 1

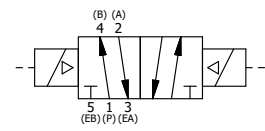
| FLG | QTY | PART NO | DESCRIPTION   |
|-----|-----|---------|---|
| 12  | 3   | V-110   | O-RING, BUNA-N, 70 DURO, AS-114, (REF 5/8 X 13/16 X 3/32), 1/4" SLEEVE, 1/2" SUB, STACK |
| 11  | 1   | AN-115  | NAMEPLATE, BLANK, FOR HE,KE,KD,RR,D,CR,PP,SR,SS VALVES                                  |
| 10  | 2   | V-212   | SCREW, #2 X 3/16 DRIVE, TYPE U, OVAL HEAD, STAINLESS STEEL                              |
| 9   | 2   | V-567W  | E SERIES SINTERED BRONZE MUFFLER, DUST EXCLUDER, V-613 LOCK WASHER                      |
| 8   | 2   | V-551-1 | THERMOPLASTIC ENCAPSULATED COIL 120V 50/60HZ, NASS P/N # 108-030-0455                   |
| 7   | 2   | SEC3-7  | PLATE, RE-INFORCEMENT, SOLENOID, STAMPED, 304 STAINLESS                                 |
| 6   | 1   | S3R     | SPOOL - SOLID, STANDARD, 2 POS, CLSD CTR, 1/4" & 3/8" VALVE                             |
| 5   | 2   | V-550-1 | SOL OPER, END MOUNT, NON-LOCKING O'RIDE   |
| 4   | 8   | V-584   | SCREW, 10-24 X 1, BUTTON HEAD SOCKET CAP WITH MICROSPHERE APPLIED TO THREADS.           |
| 3   | 2   | EMG3    | GASKET - END MOUNT SOLENOID, BUNA-N, 1/4" & 3/8" VALVES                                 |
| 2   | 6   | V-39    | O-RING, VITON, STD BODY, 1/4" & 3/8" VALVES   |
| 1   | 1   | B3-10E  | FINISHED - SOLID BODY, UPPER PILOTS, 3/8" STACKING VALVE                                |

LIMITS ON DIMENSIONS UNLESS OTHERWISE SPECIFIED  
 2-PL DECIMAL ± .01  
 3-PL DECIMAL ± .005  
 FRACTIONAL ± 1/64  
 ANGULAR ± 1/2°



DRAWN: RMckenna DATE: 2/12/2019 CHECKED: KWaite DATE: 2/12/2019  
 SCALE: 1 : 1 SHEET: 1 OF 1 RELEASED: HWomack DATE: 2/12/2019

| COIL VOLTAGES  |              |
|----------------|--------------|
| PART NO        | REPLACE COIL |
| EBSS3LZ 12 VDC | V-551-2      |
| EBSS3LZ 24VDC  | V-551-3      |
| EBSS3LZ 240/60 | V-551-4      |



|   |                             |       |
|---|-----------------------------|-------|
| TITLE:<br><b>3/8" STACK, DBL SOL, 2 POS,<br/>SOL RTRN, 120/60,<br/>DUST EXCLDR, EXT PILOT</b> | PART NO.:<br><b>EBSS3LZ</b> | REV.: |
|---|-----------------------------|-------|

THE INFORMATION CONTAINED WITHIN THIS DOCUMENT IS PROPRIETARY TO AAA PRODUCTS AND MAY NOT BE DISCLOSED WITHOUT PRIOR WRITTEN CONSENT