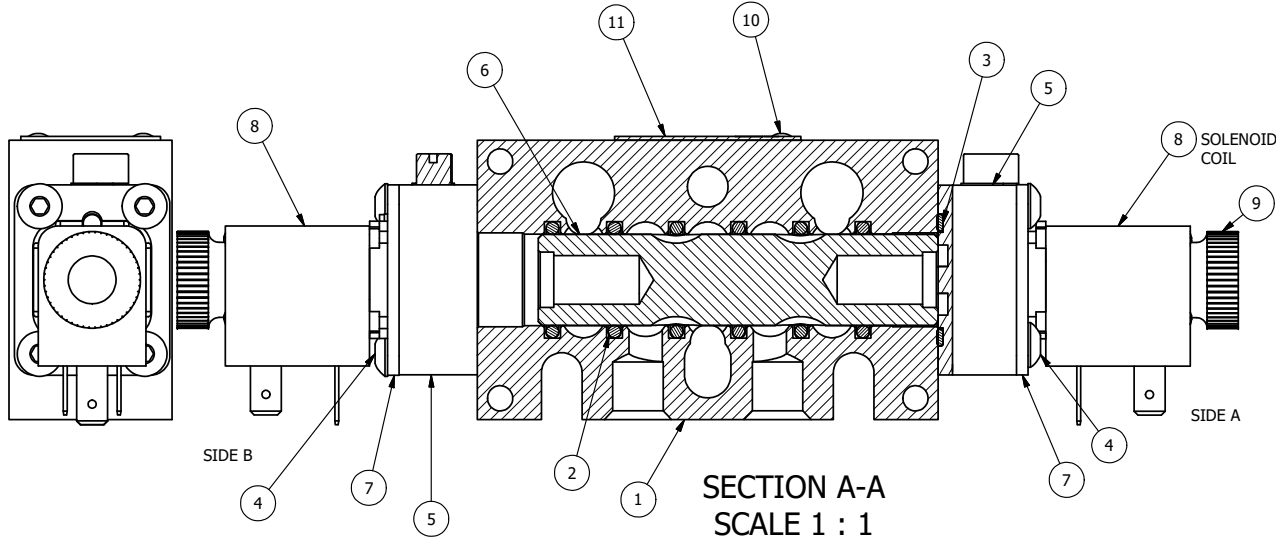


ALIGN PILOT AND SLOT IN ADAPTOR WITH GASKET IN BETWEEN, BOTH SIDES FOR EXTERNAL PILOT OPERATION - ROTATE ADAPTOR 180 DEGREES. REMOVE 1/8" NPTF PLUG AND SUPPLY 50-150 PSI TO 1/8" NPTF PILOT PORT IN ADAPTOR.

NOTES:

- 1) ALWAYS GIVE VALVE MODEL AND PART NUMBER WHEN ORDERING PARTS.
- 2) FOR DIFFERENT VOLTAGES OTHER THAN 120/60, REPLACE SOLENOID COIL WITH COIL LISTED IN TABLE BELOW.



FLG	QTY	PART NO	DESCRIPTION
12	3	V-110	O-RING, BUNA-N, 70 DURO, AS-114, (REF 5/8 X 13/16 X 3/32), 1/4" SLEEVE, 1/2" SUB, STACK
11	1	AN-115	NAMEPLATE, BLANK, FOR HE,KE,KD,RR,D,CR,PP,SR,SS VALVES
10	2	V-212	SCREW, #2 X 3/16 DRIVE, TYPE U, OVAL HEAD, STAINLESS STEEL
9	2	V-567W	E SERIES SINTERED BRONZE MUFFLER, DUST EXCLUDER, V-613 LOCK WASHER
8	2	V-551-1	THERMOPLASTIC ENCAPSULATED COIL 120V 50/60HZ, NASS P/N # 108-030-0455
7	2	SEC3-7	PLATE, RE-INFORCEMENT, SOLENOID, STAMPED, 304 STAINLESS
6	1	S3R	SPOOL - SOLID, STANDARD, 2 POS, CLSD CTR, 1/4" & 3/8" VALVE
5	2	V-599-1	SOL OPER, END MOUNT, LOCKING O'RIDE
4	8	V-584	SCREW, 10-24 X 1, BUTTON HEAD SOCKET CAP WITH MICROSPHERE APPLIED TO THREADS.
3	2	EMG3	GASKET - END MOUNT SOLENOID, BUNA-N, 1/4" & 3/8" VALVES
2	6	V-39	O-RING, VITON, STD BODY, 1/4" & 3/8" VALVES
1	1	B2-10E	FINISHED - SOLID BODY, UPPER PILOTS, 1/4" STACKING VALVE

LIMITS ON DIMENSIONS UNLESS OTHERWISE SPECIFIED		2-PL DECIMAL ± .01 3-PL DECIMAL ± .005 FRACTIONAL ± 1/64 ANGULAR ± 1/2°		<p>AAA PRODUCTS INTERNATIONAL 7114 Harry Hines Blvd Dallas, TX 75235</p>																	
DRAWN: RMckenna		DATE: 5/25/2016			CHECKED: KWaite	DATE: 5/25/2016															
SCALE: 1 : 1		SHEET: 1 OF 1		RELEASED: HWomack		DATE: 5/25/2016															
<table border="1"> <thead> <tr> <th colspan="2">COIL VOLTAGES</th> </tr> <tr> <th>PART NO</th> <th>REPLACE COIL</th> </tr> </thead> <tbody> <tr> <td>EBSS2OL 240/60</td> <td>V-551-4</td> </tr> <tr> <td>EBSS2OL 24VDC</td> <td>V-551-3</td> </tr> <tr> <td>EBSS2OL 12 VDC</td> <td>V-551-2</td> </tr> </tbody> </table>				COIL VOLTAGES		PART NO	REPLACE COIL	EBSS2OL 240/60	V-551-4	EBSS2OL 24VDC	V-551-3	EBSS2OL 12 VDC	V-551-2	<table border="1"> <tr> <td>TITLE:</td> <td>1/4" STACK, DBL SOL, 2 POS, FRICTION POS, SOL RTRN, 120/60, LCKNG OVRD, DUST EXCLDR</td> </tr> <tr> <td>PART NO.:</td> <td>EBSS2OL</td> </tr> <tr> <td>REV.:</td> <td></td> </tr> </table>		TITLE:	1/4" STACK, DBL SOL, 2 POS, FRICTION POS, SOL RTRN, 120/60, LCKNG OVRD, DUST EXCLDR	PART NO.:	EBSS2OL	REV.:	
COIL VOLTAGES																					
PART NO	REPLACE COIL																				
EBSS2OL 240/60	V-551-4																				
EBSS2OL 24VDC	V-551-3																				
EBSS2OL 12 VDC	V-551-2																				
TITLE:	1/4" STACK, DBL SOL, 2 POS, FRICTION POS, SOL RTRN, 120/60, LCKNG OVRD, DUST EXCLDR																				
PART NO.:	EBSS2OL																				
REV.:																					

