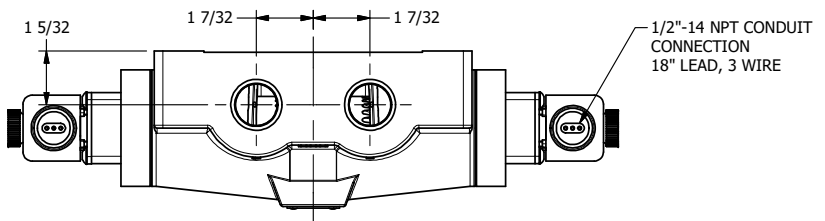


4

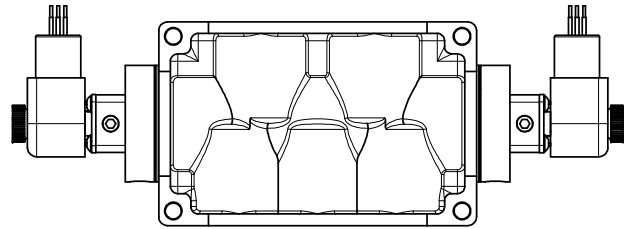
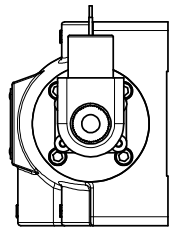
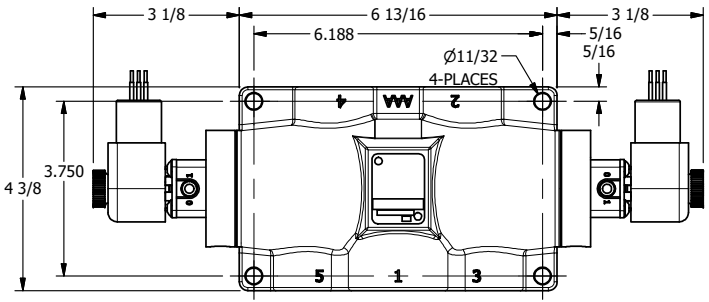
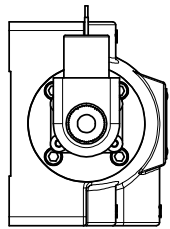
3

2

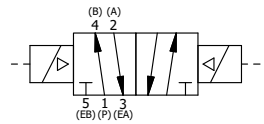
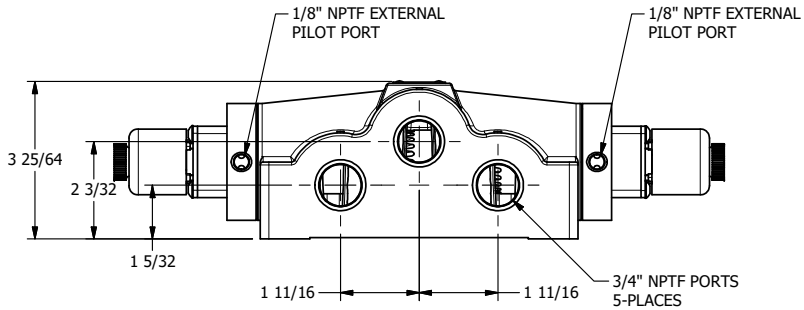
1



1/2"-14 NPT CONDUIT CONNECTION
18" LEAD, 3 WIRE



1 21/32



4

3

2

AAA
PRODUCTS
INTERNATIONAL

**AAA PRODUCTS
INTERNATIONAL**
7114 Harry Hines Blvd
Dallas, TX 75235

TITLE $3/4"$ SIDE PORT, DBL SOL, 2 POS,
SOL RTRN, EXPL PROOF,
DUST EXCLDR, EXT PILOT

DRAWING NO.:
DIM_ESS6XLZ

THE INFORMATION CONTAINED WITHIN THIS DOCUMENT IS PROPRIETARY TO AAA PRODUCTS AND MAY NOT BE DISCLOSED WITHOUT PRIOR WRITTEN CONSENT