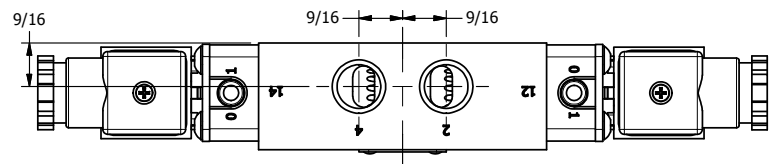
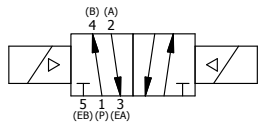
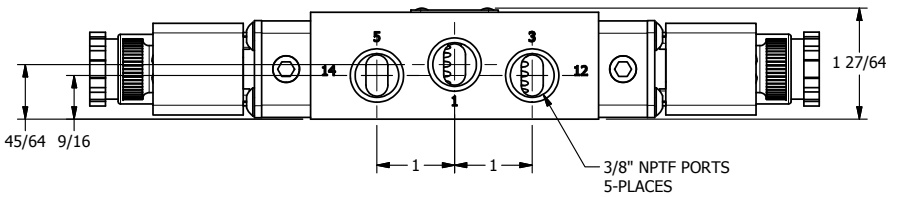
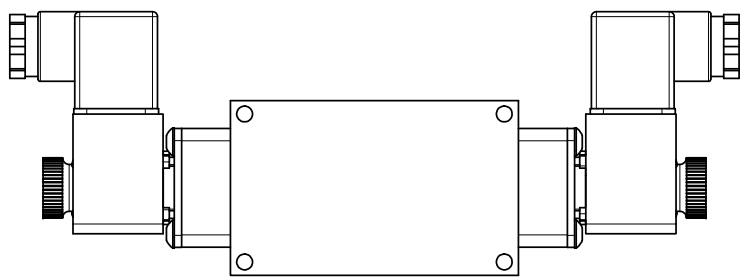
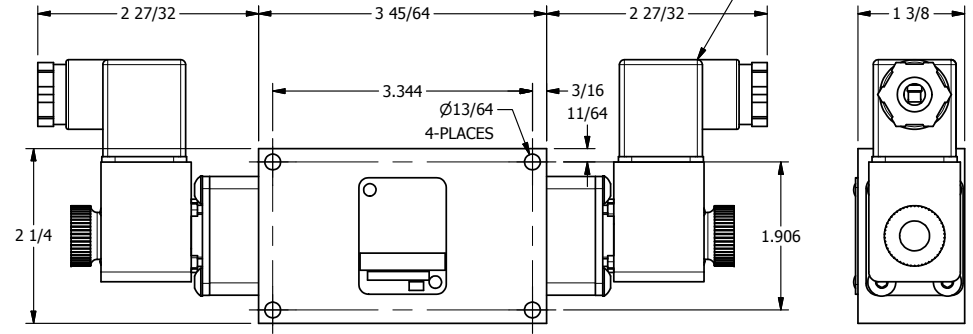


4 3 2 1



3/8" CORD GRIP DIN CAP INCLUDED
FORM A, ACC. TO EN 175301-803,
ISO 4400



4 3 2 1

AAA
PRODUCTS
INTERNATIONAL

**AAA PRODUCTS
INTERNATIONAL**
7114 Harry Hines Blvd
Dallas, TX 75235

TITLE **3/8" SIDE PORT, DBL SOL, 2 POS,
FRICTION POS, SOL RTRN,
INTR SAFE, 24VDC, DUST EXCLDR**

DRAWING NO.:
DIM_ESS3AL

THE INFORMATION CONTAINED WITHIN THIS DOCUMENT IS PROPRIETARY TO AAA PRODUCTS AND MAY NOT BE DISCLOSED WITHOUT PRIOR WRITTEN CONSENT